

# HY-BRID LIFTS™

BY CUSTOM EQUIPMENT LLC

## PARTS MANUAL

PUSH-AROUND AERIAL WORK PLATFORM

SUPO-735

REV B



# HB-P830 HB-P830CE

SERIES II

Model #HB-P830 Serial # Ranges:  
D05-12000-12999, E05-12004

Model #HB-P830CE Serial # Ranges  
E05-12000-12999



# TABLE OF CONTENTS

NOTES.....	2
SERIAL NUMBER REFERENCE PAGE .....	3
TABLE OF CONTENTS.....	4
INDEX OF FIGURES.....	5
<b>SECTION 1   BASE .....</b>	<b>6</b>
1.1   CASTER PARTS.....	6
1.2   CASTER SUBPARTS .....	6
1.3   BRAKE SUBPARTS .....	7
1.4   PUMP PARTS .....	8
1.5   PUMP SUBPARTS .....	10
1.6   MISCELLANEOUS BASE PARTS .....	11
<b>SECTION 2   CONTROLS .....</b>	<b>12</b>
2.1   ELECTRICAL PARTS - ANSI.....	12
2.2   ELECTRICAL PARTS - CE.....	14
2.3   UPPER CONTROL PARTS - ANSI .....	16
2.4   UPPER CONTROL PARTS - CE .....	17
2.5   ENABLE SWITCH SUBPARTS .....	18
2.6   E-STOP SWITCH SUBPARTS.....	18
2.7   MASTER POWER SWITCH SUBPARTS.....	19
2.8   KEY SWITCH SUBPARTS .....	19
2.9   UP/DOWN SWITCH SUBPARTS .....	19
<b>SECTION 3   SCISSORS .....</b>	<b>20</b>
3.1   SCISSORS PARTS.....	20
3.2   CYLINDER SUBPARTS - ANSI .....	22
3.3   CYLINDER SUBPARTS - CE.....	23
<b>SECTION 4   PLATFORM &amp; RAILS.....</b>	<b>24</b>
<b>SECTION 5   DECALS.....</b>	<b>26</b>
5.1   DECALS - ANSI.....	26
5.2   DECALS - CE.....	28
<b>SECTION 6   OPTIONS &amp; MISCELLANEOUS .....</b>	<b>30</b>

# INDEX OF FIGURES

FIGURE 1: Caster Parts.....	6
FIGURE 2: Caster Subparts .....	6
FIGURE 3: Brake Subparts .....	7
FIGURE 4: Pump Parts .....	8
FIGURE 5: Pump Subparts .....	10
FIGURE 6: Miscellaneous Base Parts.....	11
FIGURE 7: Electrical Parts - ANSI.....	12
FIGURE 8: Electrical Parts - CE.....	14
FIGURE 9: Upper Control Parts - ANSI .....	16
FIGURE 10: Upper Control Parts - CE.....	17
FIGURE 11: Enable Switch Subparts.....	18
FIGURE 12: E-Stop Switch Subparts .....	18
FIGURE 13: Master Power Switch Subparts.....	19
FIGURE 14: Key Switch Subparts .....	19
FIGURE 15: Up/Down Switch Subparts .....	19
FIGURE 16: Scissors Parts.....	20
FIGURE 17: Cylinder Subparts - ANSI .....	22
FIGURE 18: Cylinder Subparts - CE.....	23
FIGURE 19: Platform & Rails .....	24
FIGURE 20: Decals - ANSI.....	26
FIGURE 21: Decals - CE.....	28
FIGURE 22: Options & Miscellaneous.....	30

## 1.1 | CASTER PARTS

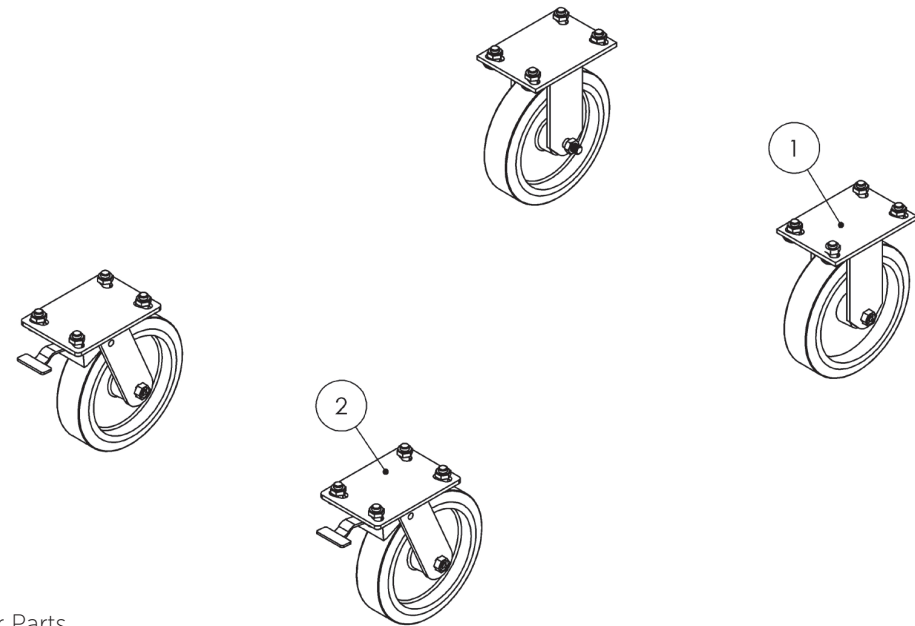


FIGURE 1: Caster Parts

Item #	Part Number	Part Description	Notes	Qty	Superseded By
1	1002103160-KIT	ASM,BASE CASTER,RIGID	Superseded;	0	144-21-031-50-K
1	144-21-031-50-K	ASM,BASE CASTER,RIGID		2	
2	1002103161-KIT	ASM,BASE CASTER,SWIVEL	Superseded;	0	WHEE-713-5-KIT
2	144-21-030-50-K	ASM,BASE CASTER,SWIVEL		2	
2	WHEE-713-5-KIT	WHL,8X2 GREY,W/FORK TOTAL LOCK		2	

## 1.2 | CASTER SUBPARTS

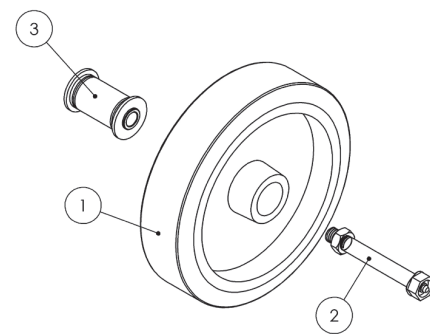


FIGURE 2: Caster Subparts

Item #	Part Number	Part Description	Notes	Qty	Superseded By
1	WHEE-706	WHL,8X2,GREY NM BORE 1.25		1	
2	WHEE-002-2	WHL,AXLE KIT 0.5X3.25		1	
3	WHEE-002-1	WHL,BEARING KIT,0.5 X 2.0 AXLE		1	

## 1.3 | BRAKE SUBPARTS

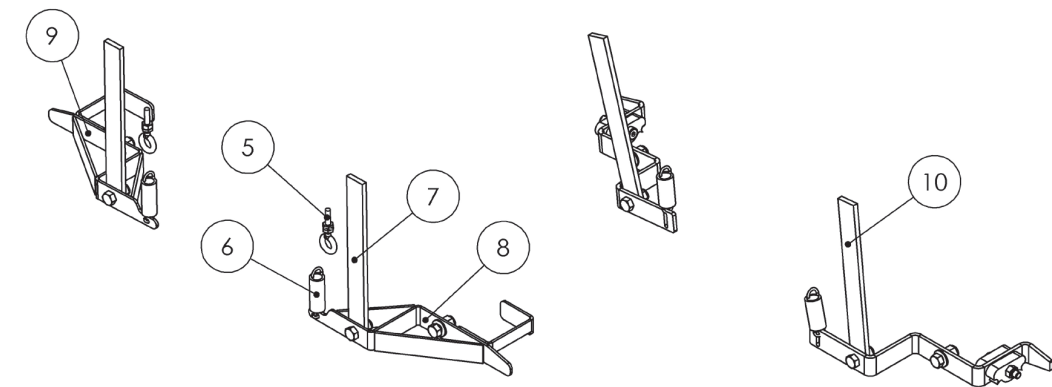
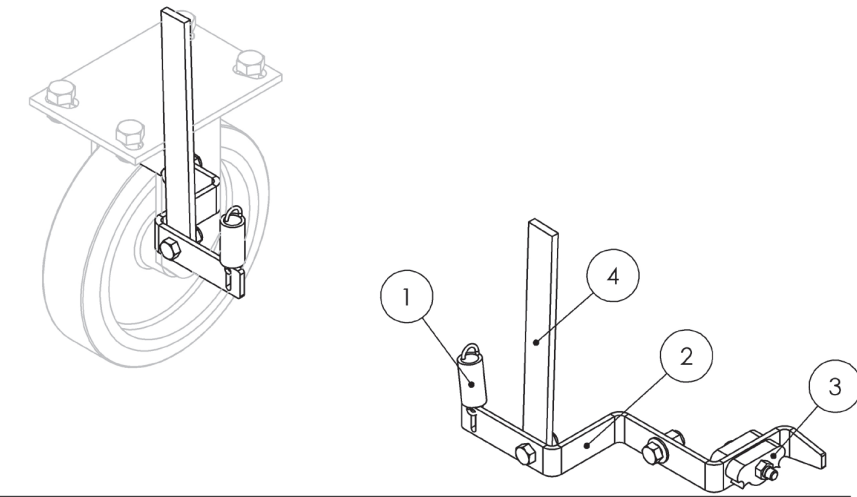
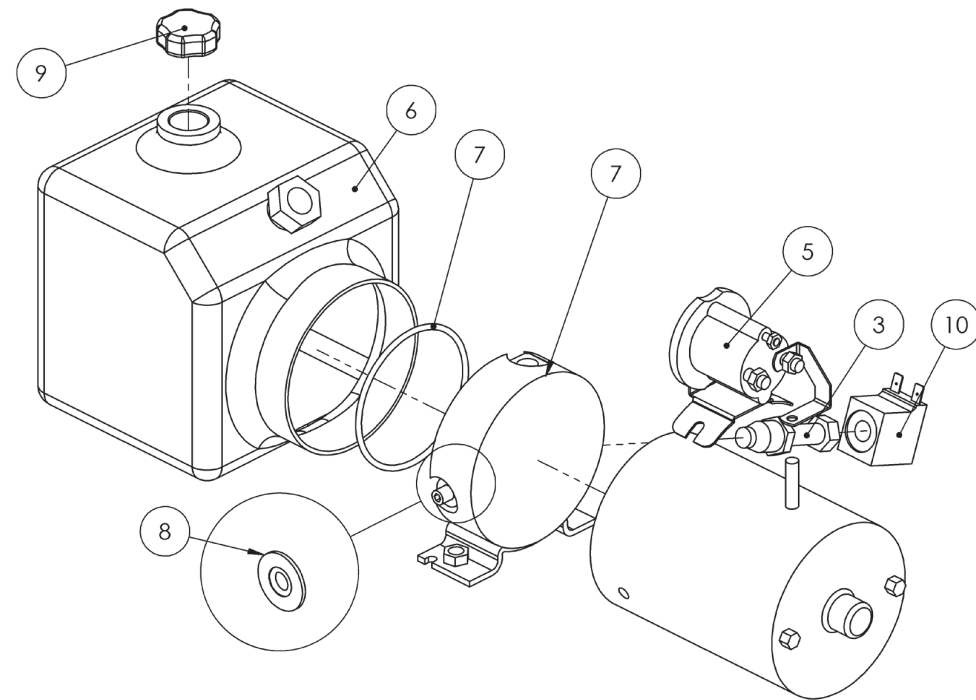
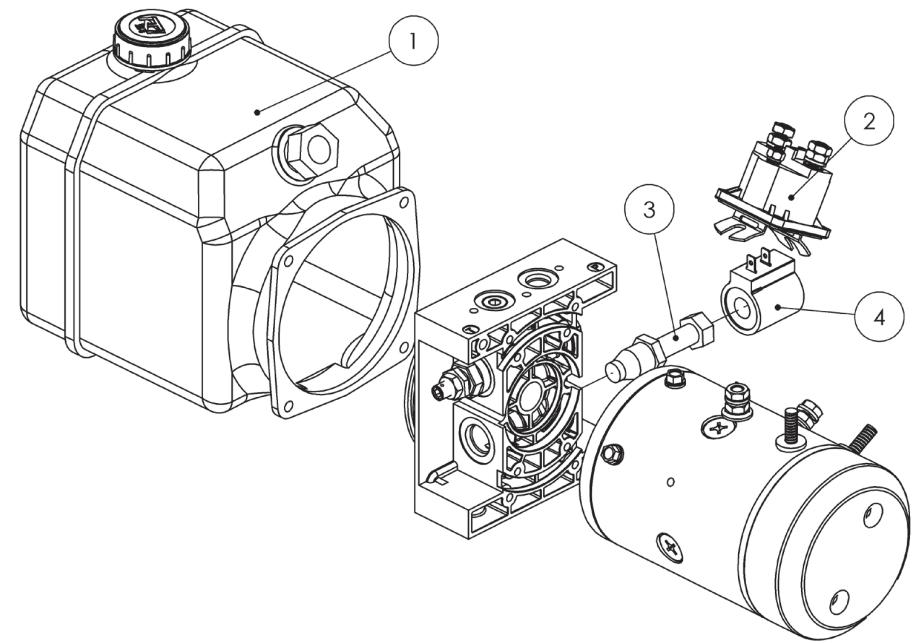


FIGURE 3: Brake Subparts

Item #	Part Number	Part Description	Notes	Qty	Superseded By
1	HARD-687	SPRING,EXT 2.44 X .75,OD		2	
2	1000132402	BASE,BRAKE		2	
3	143-01-028-02	BASE,BRAKE CAM		4	
4	1000131402	BASE,BRAKE ACTUATOR		2	
5	HARD-712	1/4-20 X 1.50 EYEBOLT		2	
6	HARD-668	SPRING,EXT 2.75 X .69,OD	Superseded;	2	1002103163-KIT
7	1000131402	BASE,BRAKE ACTUATOR	Superseded;	2	1002103163-KIT
8	1000131707	BASE,BRAKE WELDMENT	Superseded;	1	1002103163-KIT
9	1000131712	BASE,BRAKE WELDMENT	Superseded;	1	1002103163-KIT
10	1002103163-KIT	ASM,BASE BRAKES		1	

1.4 | PUMP PARTS



Item #	Part Number	Part Description	Notes	Qty	Superseded By
1	HYDR-032	HYDRAULIC OIL	Not available as a replacement part. Replace with Flomite #150, Dexron II, Mobil-DTE 2 or equivalent 32 weight implement oil.	0	
2	HYDR-022-3	LOW PRESSURE HOSE	Quantity in inches	93	
3	HYDR-019	FITTING,ELB,NPTM 3/8-1/4 PUSH		1	
4	HYDR-677	FITNG,ELB,JICM 9/16-SAEORM #6		1	
5	HYDR-050-14	PUMP,12VDC,0.078	Entire Pump, KTI	1	
6	HYDR-050-7	PUMP,12VDC,0.073,0.68,NA	Entire Pump, Bucher, HYDR-050-14 MAY BE SUBSTITUTED	1	

FIGURE 4: Pump Parts

1.5 | PUMP SUBPARTS

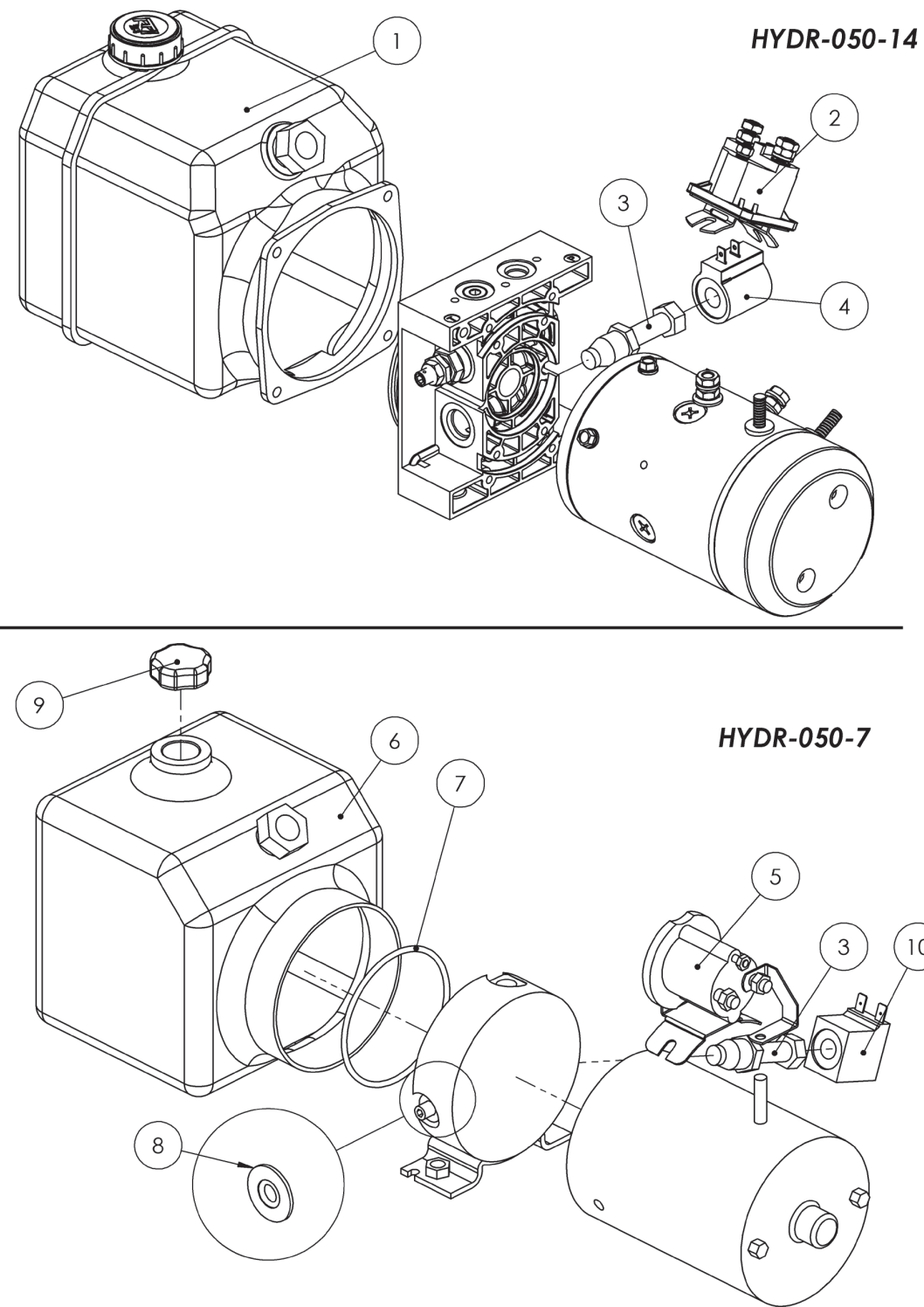


FIGURE 5: Pump Subparts

Item #	Part Number	Part Description	Notes	Qty	Superseded By
1	HYDR-116	PUMP RESERVOIR, 3 QT.	KTI Pump	1	
2	HYDR-691	SOLENOID,12V,100 AMP	KTI Pump	1	
3	HYDR-665	VALVE,NO,2W/2P,#8,UP		1	
4	HYDR-694	COIL,10V	KTI Pump	1	
5	HYDR-674	SOLENOID,12V,GROUNDED,SPST	Bucher Pump	1	
6	HYDR-067-1	PUMP RESERVOIR	Bucher Pump	1	
7	HYDR-068	PUMP RESERVOIR O-RING	Bucher Pump	1	
8	HYDR-667	WASH,0.38 ID,0.75 OD,PRES SEAL	Bucher Pump	1	
9	HYDR-042	PUMP RESERVOIR CAP	Bucher Pump	1	
10	HYDR-673	COIL,10V	Bucher Pump	1	

1.6 | MISCELLANEOUS BASE PARTS

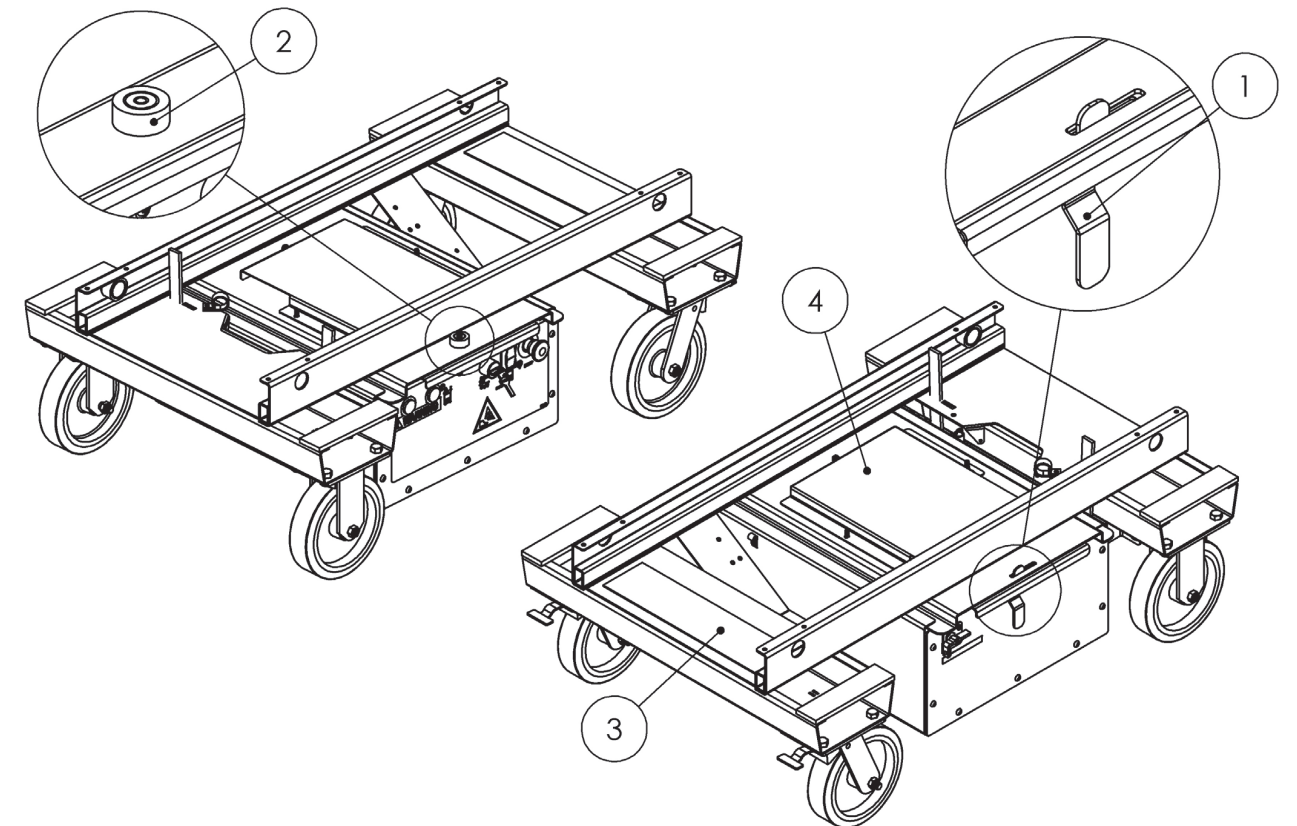
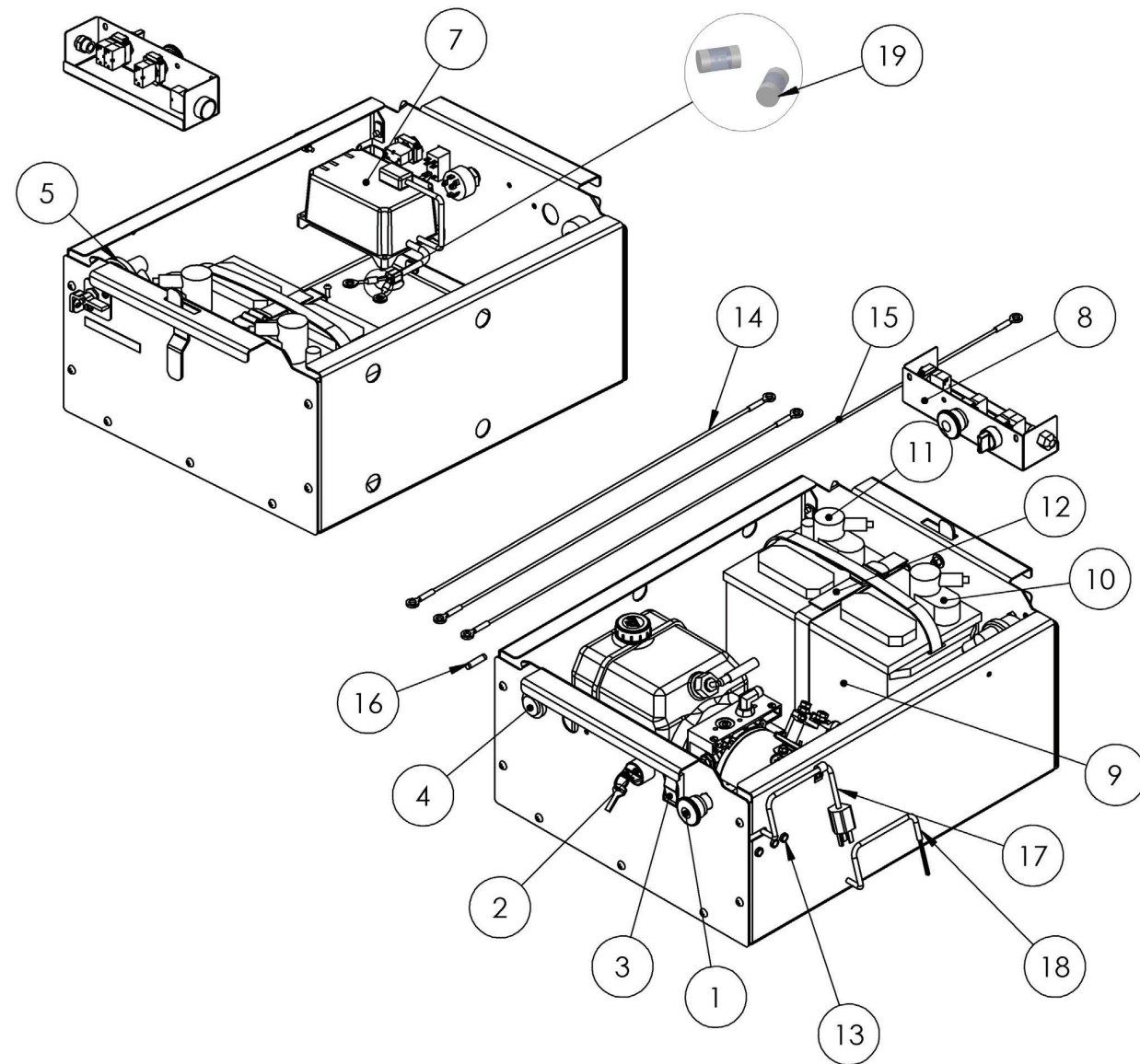


FIGURE 6: Miscellaneous Base Parts

Item #	Part Number	Part Description	Notes	Qty	Superseded By
1	1000132101	BASE,CABINET LATCH		1	
2	HARD-086	LEVEL,BUBBLE		1	
3	MISC-031-06-KIT	ANTI-SLIP TAPE,4.00,16.00 LENG		1	
4	1000131901	BASE,CABLE GUARD		1	

## 2.1 | ELECTRICAL PARTS - ANSI ANSI



Item #	Part Number	Part Description	Notes	Qty	Superseded By
1	ELEC-071-KIT	BUTTON,PUSH/PULL RED E-STOP		1	
2	ELEC-073E	SWITCH,KEY		1	
3	ELEC-133B	SWITCH,ROCKER DPDT		1	
4	ELEC-635	ALARM,SLOW PULSE		1	
5	ELEC-633-KIT	SWITCH,MASTER DISCONNECT		1	
6	ELEC-634D	TERMINAL BOOT (BLACK)		2	
7	ELEC-746	CHARGER,12V		1	
8	1002103550	ASM,CTL UPR HB-P830S2		1	
9	N/A	BATTERY,12V,GR27 DEEP CYCLE	NOT SOLD FOR REPLACEMENT. REPLACE WITH GROUP 27, 12-VOLT DEEP CYCLE OR AGM BATTERY WEIGHING AT LEAST 45 LB.	1	
10	ELEC-634A	BATTERY BOOT (RED)		1	
11	ELEC-634B	BATTERY BOOT (BLACK)		1	
12	HARD-054	BATTERY STRAP/BUCKLE		1	
13	HARD-658	PLUG,0.38 DIA,TRANSPARENT		3	
14	1002103850	CABLE,6GA,BLACK,26,B/B		2	
15	1002103851	CABLE,6GA,RED,40,R/R		1	
16	ELEC-670-2	FUSE 20 AMP AGC		1	
17	ELEC-639-4	CORD,NEMA/IEC RT ANG, 2FT.		1	
18	ELEC-639-5	CORD,IEC AC/IEC C13 RT ANG,24		1	
19	ELEC-670-6	FUSE 30 AMP,PCS		2	
20	WD-1002103250	WD,HB-P830 S2	WIRING DIAGRAM	1	
21	WS-1002103250	ELEC SCH,HB-P830 S2	ELECTRICAL SCHEMATIC	1	

FIGURE 7: Electrical Parts - ANSI

2.2 | ELECTRICAL PARTS - CE  
CE

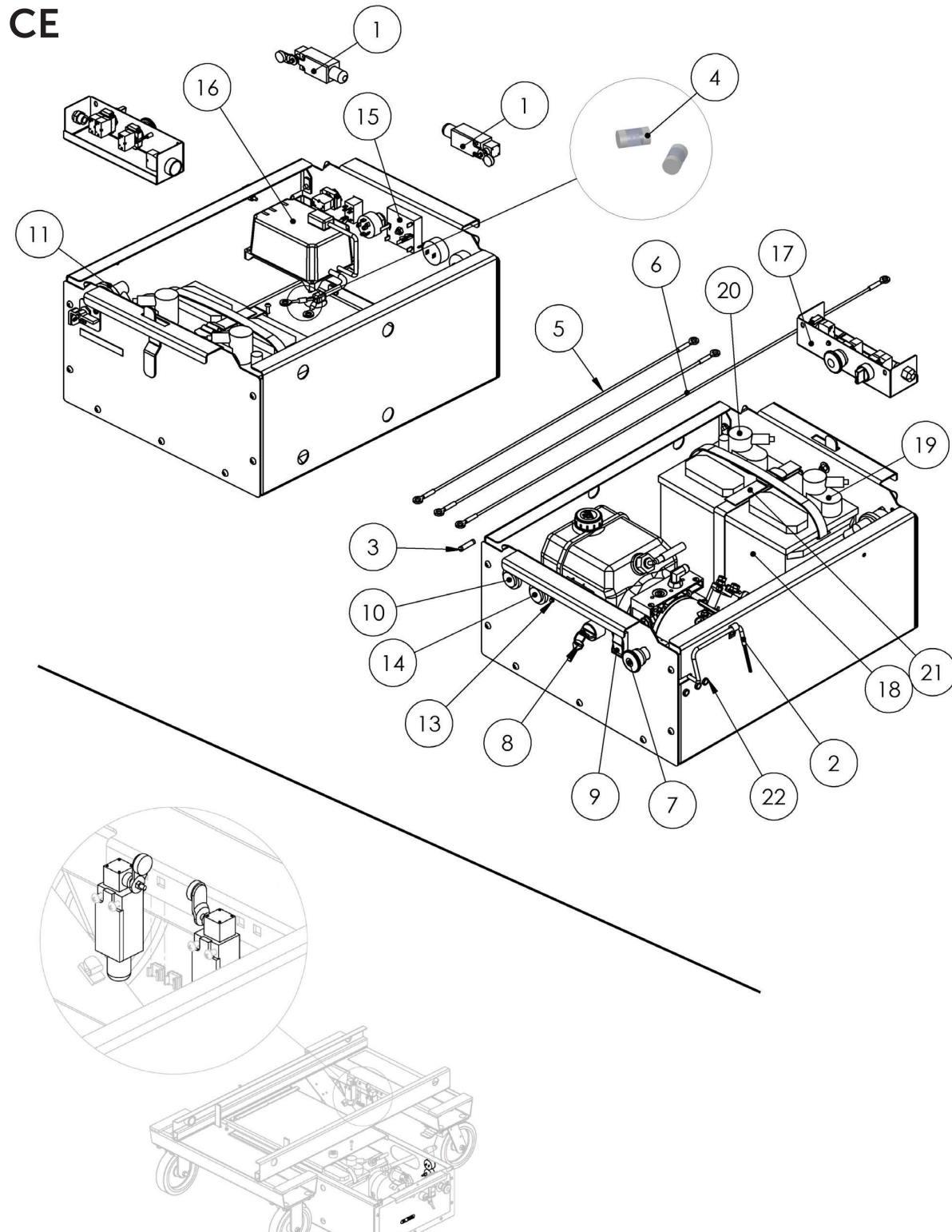


FIGURE 8: Electrical Parts - CE

Item #	Part Number	Part Description	Notes	Qty	Superseded By
1	ELEC-123-5	SWITCH,LIMIT,ROT LVR,NO/NC PO		2	
2	ELEC-639-5	CORD,IEC AC/IEC C13 RT ANG,24		1	
3	ELEC-670-2	FUSE 20 AMP AGC		1	
4	ELEC-670-6	FUSE 30 AMP,PCS		2	
5	1002103850	CABLE,6GA,BLACK,26,B/B		2	
6	1002103851	CABLE,6GA,RED,40,R/R		1	
7	ELEC-071-KIT	BUTTON,PUSH/PULL RED E-STOP		1	
8	ELEC-073E	SWITCH,KEY		1	
9	ELEC-133B	SWITCH,ROCKER DPDT		1	
10	ELEC-635	ALARM,SLOW PULSE		1	
11	ELEC-633-KIT	SWITCH,MASTER DISCONNECT		1	
12	ELEC-634D	TERMINAL BOOT (BLACK)		2	
13	ELEC-636	LED, RED		1	
14	ELEC-635-1	ALARM-FAST PULSE		1	
15	ELEC-632	RELAY,TIME DELAY		1	
16	ELEC-746	CHARGER,12V		1	
17	1002103551	ASM,CTL UPR HB-P830S2		1	
18	N/A	BATTERY,12V,GR27 DEEP CYCLE	NOT SOLD FOR REPLACEMENT. REPLACE WITH GROUP 27, 12-VOLT DEEP CYCLE OR AGM BATTERY WEIGHING AT LEAST 45 LB.	1	
19	ELEC-634A	BATTERY BOOT (RED)		1	
20	ELEC-634B	BATTERY BOOT (BLACK)		1	
21	HARD-054	BATTERY STRAP/BUCKLE		1	
22	HARD-658	PLUG,0.38 DIA,TRANSPARENT		3	
23	WD-1002103251	WD,HB-P830CE S2	WIRING DIAGRAM	1	
24	WS-1002103251	ELEC SCH,HB-P830CE S2	ELECTRICAL SCHEMATIC	1	



2.3 | UPPER CONTROL PARTS - ANSI  
ANSI

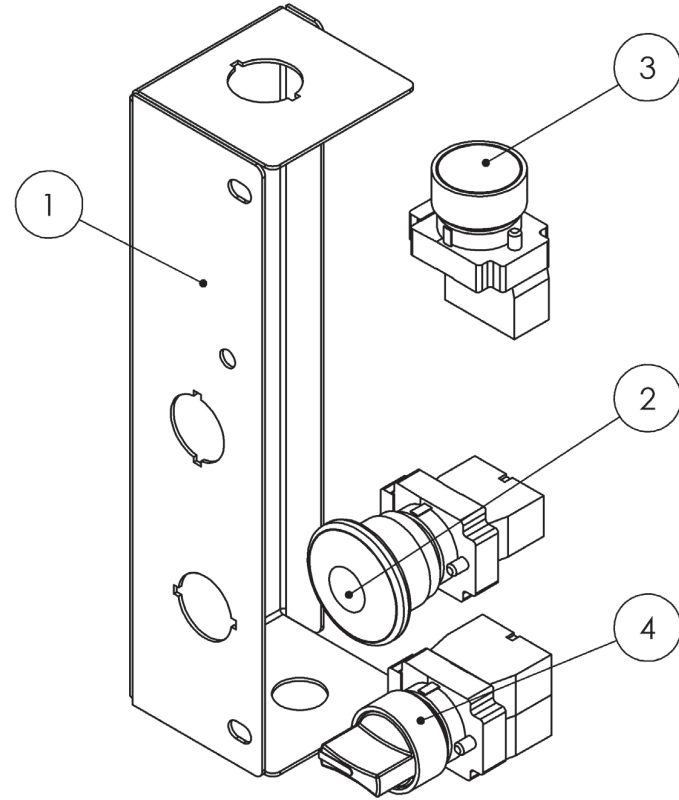


FIGURE 9: Upper Control Parts - ANSI

Item #	Part Number	Part Description	Notes	Qty	Superseded By
1	1000309001	RAIL,CTL PANEL		1	
2	ELEC-071-KIT	EMERGENCY STOP BUTTON		1	
3	ELEC-602-KIT	BUTTON,PUSH GREEN		1	
4	ELEC-002A-KIT2	SWITCH,ROTARY MOMENTARY,3-POS		1	
5	WD-1002103550	WD,UPR CTL HB-P830 S2	WIRING DIAGRAM	1	

2.4 | UPPER CONTROL PARTS - CE  
CE

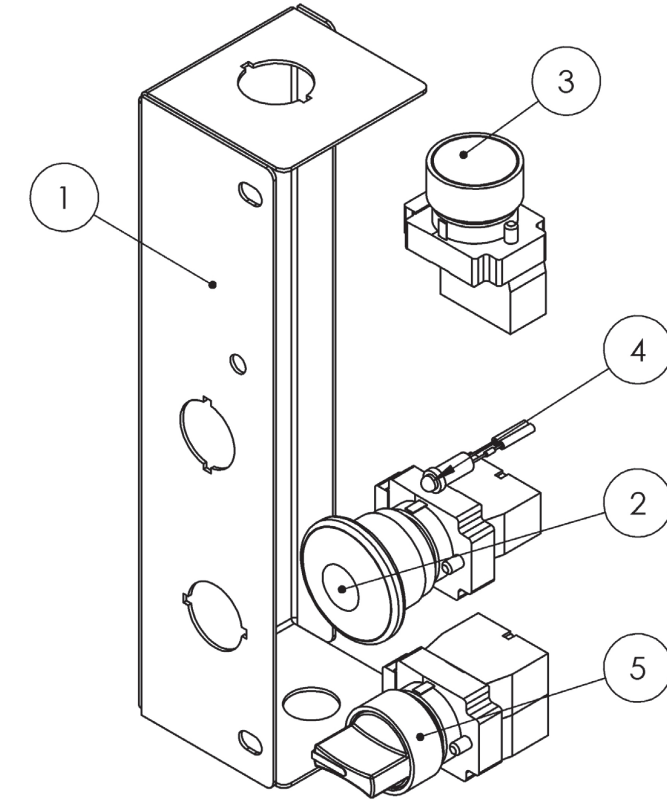


FIGURE 10: Upper Control Parts - CE

Item #	Part Number	Part Description	Notes	Qty	Superseded By
1	1000309001	RAIL,CTL PANEL		1	
2	ELEC-071-KIT	EMERGENCY STOP BUTTON		1	
3	ELEC-602-KIT	BUTTON,PUSH GREEN		1	
4	ELEC-636	LED, RED		1	
5	ELEC-002A-KIT2	SWITCH,ROTARY MOMENTARY,3-POS		1	
6	WD-1002103551	WD,UPR CTL HB-P830CE S2	WIRING DIAGRAM	1	

2.5 | ENABLE SWITCH SUBPARTS

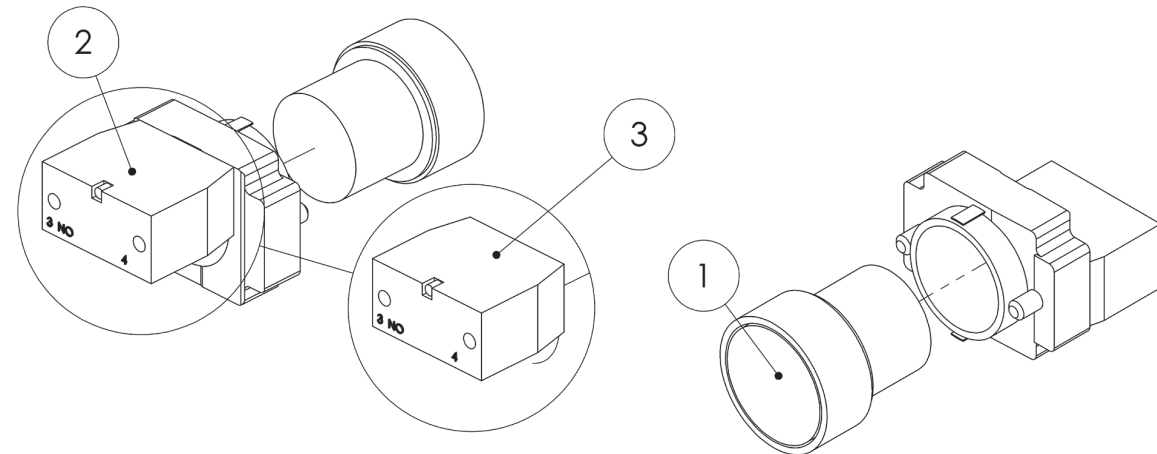


FIGURE 11: Enable Switch Subparts

Item #	Part Number	Part Description	Notes	Qty	Superseded By
1	ELEC-602	BUTTON,PUSH GREEN		1	
2	ELEC-871	CONTACT BLOCK,NO W/BASE		1	
3	ELEC-603	CONTACT BLOCK,NO		1	

2.6 | E-STOP SWITCH SUBPARTS

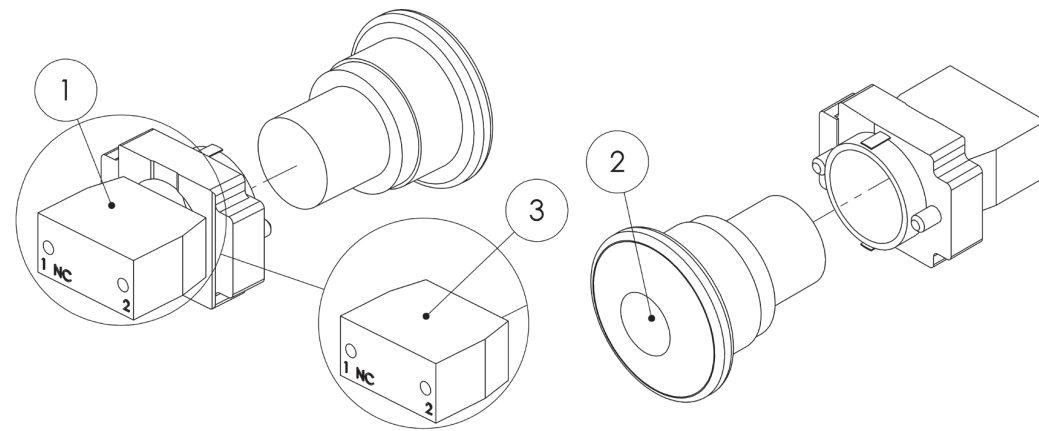


FIGURE 12: E-Stop Switch Subparts

Item #	Part Number	Part Description	Notes	Qty	Superseded By
1	ELEC-872-KIT	CONTACT BLOCK,NC W/BASE		1	
2	ELEC-071	BUTTON,PUSH/PULL RED E-STOP		1	
3	ELEC-072	CONTACT BLOCK,NC		1	

2.7 | MASTER POWER SWITCH SUBPARTS

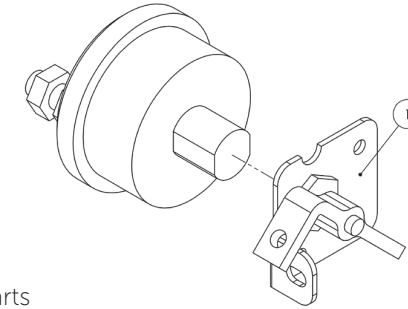


FIGURE 13: Master Power Switch Subparts

Item #	Part Number	Part Description	Notes	Qty	Superseded By
1	ELEC-633-1	SWITCH,LOCKOUT LEVER KIT		1	

2.8 | KEY SWITCH SUBPARTS

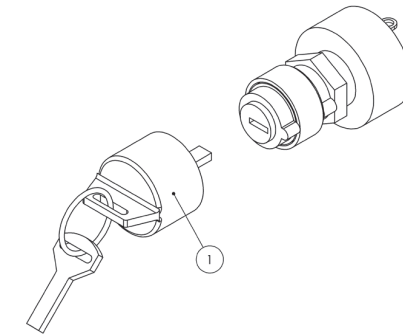


FIGURE 14: Key Switch Subparts

Item #	Part Number	Part Description	Notes	Qty	Superseded By
1	ELEC-073EKEY	KEY,SPARE		1	

2.9 | UP/DOWN SWITCH SUBPARTS

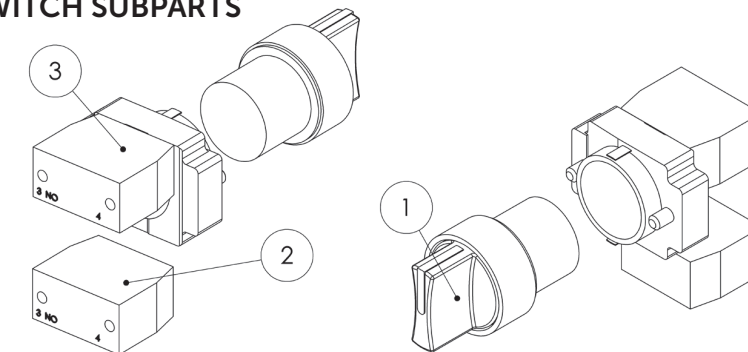
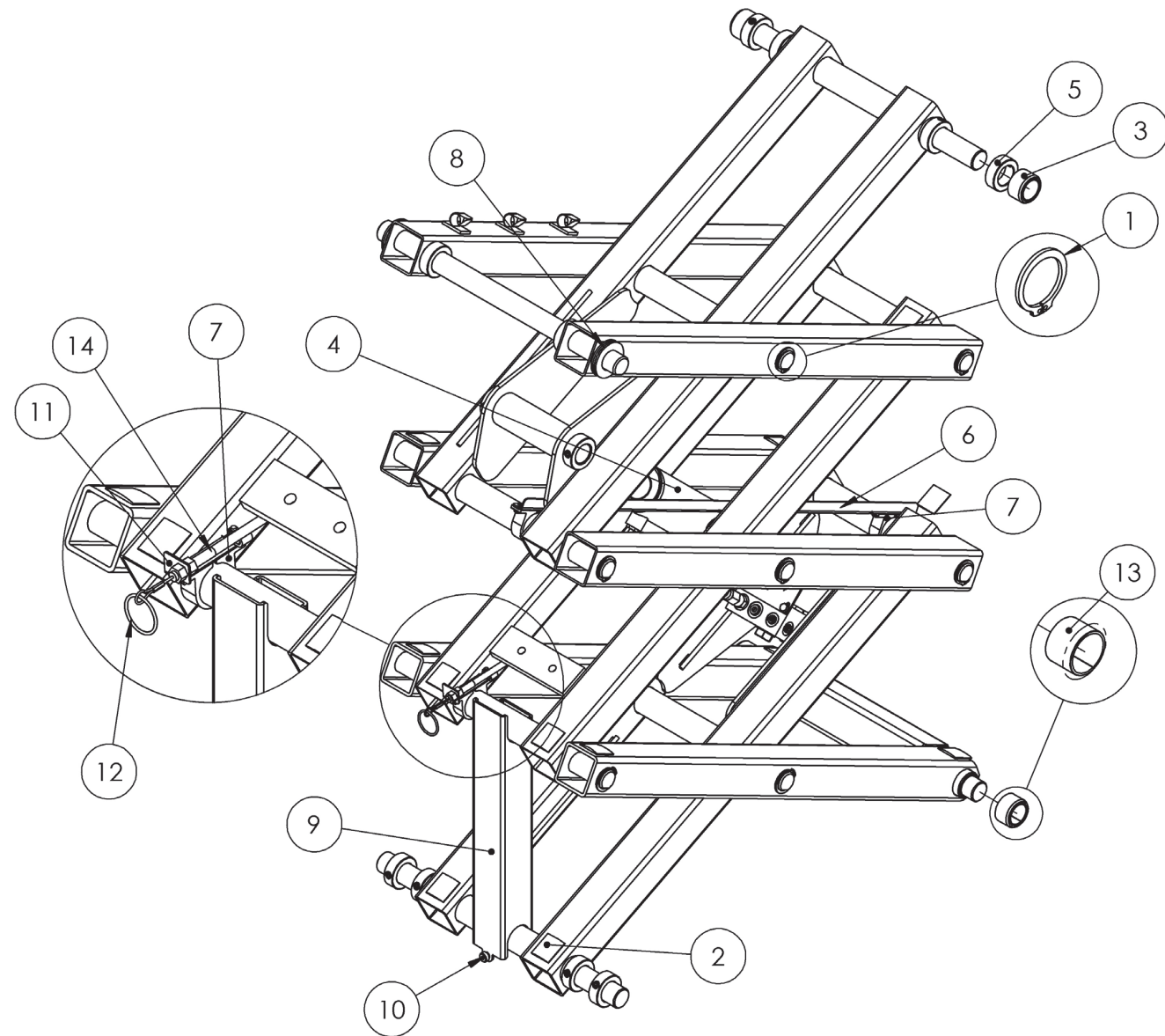


FIGURE 15: Up/Down Switch Subparts

Item #	Part Number	Part Description	Notes	Qty	Superseded By
1	ELEC-002A	SWITCH,ROTARY MOMENTARY,3-POS		1	
2	ELEC-603	CONTACT BLOCK,NO		1	
3	ELEC-871-KIT	CONTACT BLOCK,NO W/BASE		1	

## 3.1 | SCISSORS PARTS



Item #	Part Number	Part Description	Notes	Qty	Superseded By
1	HARD-022	1.25 RETAINING RING,EXT		16	
2	MISC-007-001-KIT	1 3/8 MOLDING BOND		16	
3	BM-6006-1-KIT	ASM,ROLLER,1.00 W/DU		4	
4	1002103650	ASM,SCISSOR CYL NO LS	For HB-P830	1	
4	1002103651	ASM,SCISSOR CYL W PRES SW	For HB-P830CE	1	
5	1021000102	SET COLLAR,1.25 ID		10	
6	1000201916	SCISSOR,CONDUIT		1	
7	HARD-709	1.63 CLAMP		3	
8	HARD-716	1.25X2.25X0.13 WASH		6	
9	1000203401	SCISSOR,ML TUBE		1	
10	SCREW-3101	5/16-18 X 2.5 SHOULDER SCREW		1	
11	1000203304	SCISSOR,PLATE MOUNT		1	
12	HARD-651	1.40 ID,RING		1	
13	HARD-001	1.25X1.00 SLEEVE BEARING,PTFE		1	
14	HARD-644-03	26/36 LOW FRICTION CABLE		1	

FIGURE 16: Scissors Parts

3.2 | CYLINDER SUBPARTS - ANSI  
**ANSI**

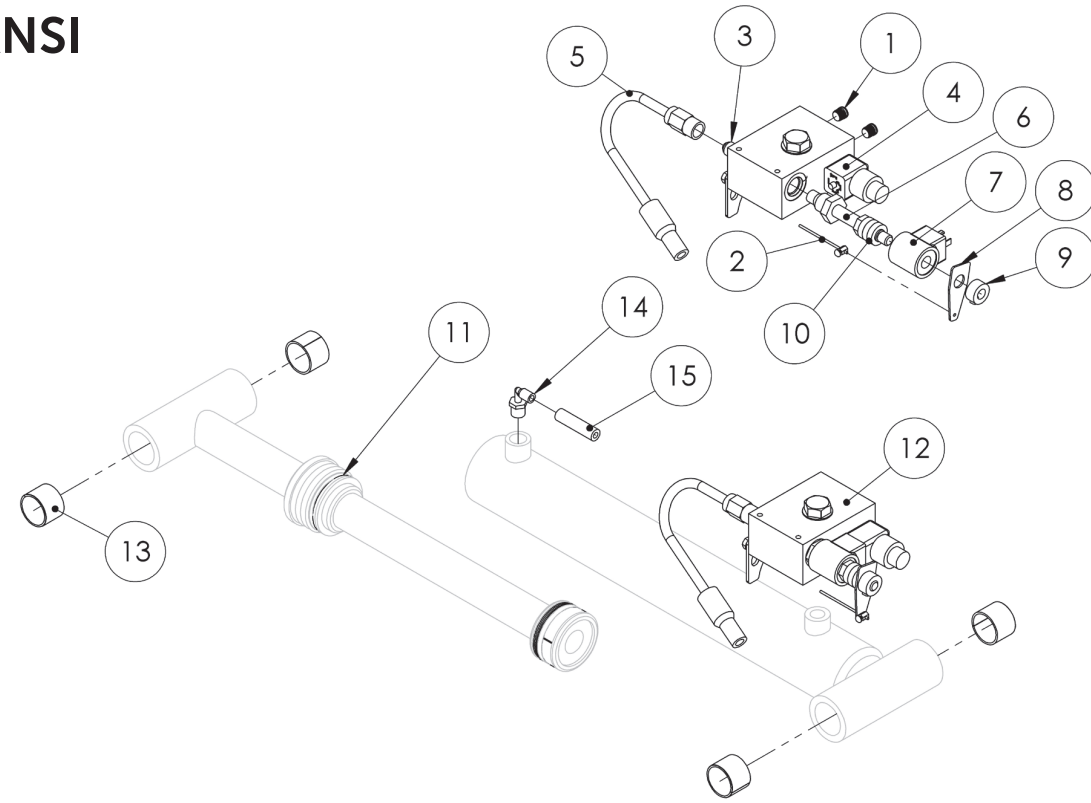


FIGURE 17: Cylinder Subparts - ANSI

Item #	Part Number	Part Description	Notes	Qty	Superseded By
1	HARD-669	PLUG,SAEORM #4,HEX SOCKET 3/16		3	
2	HARD-644-03	26/36 LOW FRICTION CABLE		1	
3	HYDR-604	FITTING,STR,SAEOR M#6-JIC M3/8		1	
4	HYDR-044-FL3	HIRSCHMANN CONNECTOR		1	
5	HYDR-600-5	HOSE ASM,PRECUT 8FT3X		1	
6	HYDR-007-2E-5	VALVE,NC,2W/2P,#8,DWN,PULL,DEL		1	
7	HYDR-007-2E-6	COIL,12V,HC		1	
8	LAS-M115	SCISSOR,PLATE E-DOWN ACT		1	
9	HARD-650	0.44X0.88X0.44 SHAFT COLLAR		1	
10	WHEE-605-P	0.50X0.89X0.25 SPACER		3	
11	HYDR-009-SK	CYL,SEAL KIT 2.5 B,1.5 R		1	
12	1002103691	ASM,SCISSOR CYL VALVE BLK ANMP		1	
13	HARD-001	1.25X1.00 SLEEVE BEARING,PTFE		4	
14	HYDR-019	FITTING,ELB,NPTM 3/8-1/4 PUSH		1	
15	HYDR-022-3	LOW PRESSURE HOSE	Quantity in inches	93	

3.3 | CYLINDER SUBPARTS - CE  
**CE**

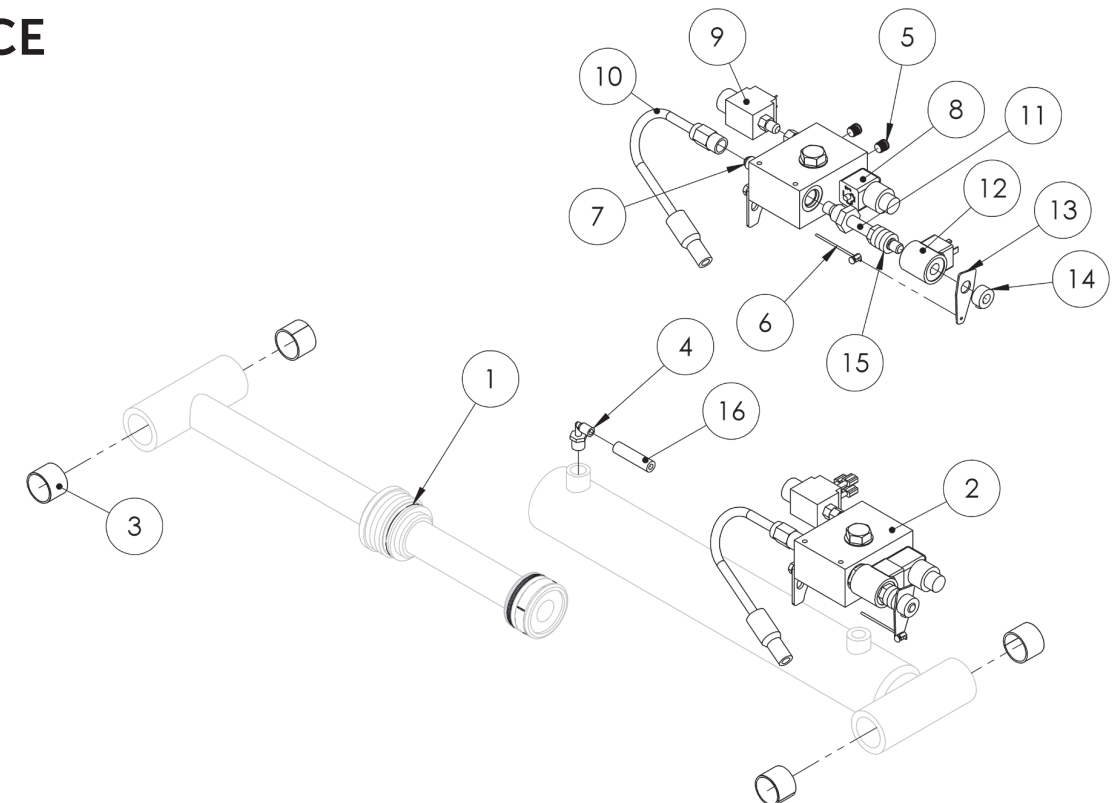


FIGURE 18: Cylinder Subparts - CE

Item #	Part Number	Part Description	Notes	Qty	Superseded By
1	HYDR-009-SK	CYL,SEAL KIT 2.5 B,1.5 R		1	
2	1002103691	ASM,SCISSOR CYL VALVE BLK CEMP		1	
3	HARD-001	1.25X1.00 SLEEVE BEARING,PTFE		4	
4	HYDR-019	FITTING,ELB,NPTM 3/8-1/4 PUSH		1	
5	HARD-669	PLUG,SAEORM #4,HEX SOCKET 3/16		2	
6	HARD-644-03	26/36 LOW FRICTION CABLE		1	
7	HYDR-604	FITTING,STR,SAEOR M#6-JIC M3/8		1	
8	HYDR-044-FL3	HIRSCHMANN CONNECTOR		1	
9	HYDR-671	SWITCH,PRESSURE		1	
10	HYDR-600-5	HOSE ASM,PRECUT 8FT3X		1	
11	HYDR-007-2E-5	VALVE,NC,2W/2P,#8,DWN,PULL,DEL		1	
12	HYDR-007-2E-6	COIL,12V,HC		1	
13	LAS-M115	SCISSOR,PLATE E-DOWN ACT		1	
14	HARD-650	0.44X0.88X0.44 SHAFT COLLAR		1	
15	WHEE-605-P	0.50X0.89X0.25 SPACER		3	
16	HYDR-022-3	LOW PRESSURE HOSE	Quantity in inches	93	

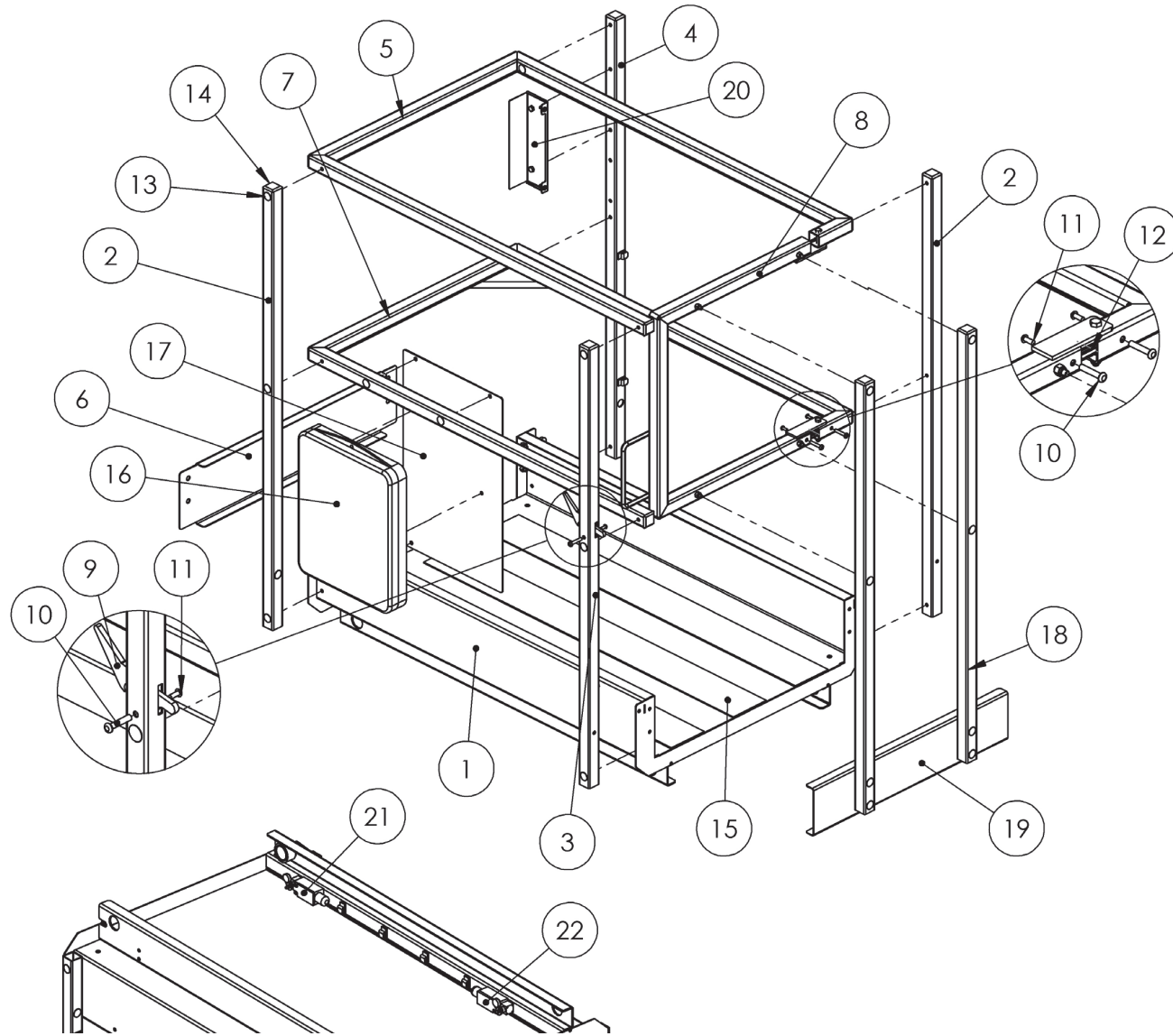


FIGURE 19: Platform & Rails

Item #	Part Number	Part Description	Notes	Qty	Superseded By
1	1000402501	PF,WLDMNT	STANDARD YELLOW	1	
1	1000402516	PF,WLDMNT	RED	1	
2	1000307301	RAIL,VERTICAL 02	STANDARD YELLOW	2	
2	1000307316	RAIL,VERTICAL 02	RED	2	
3	1000307201	RAIL,VERTICAL 01	STANDARD YELLOW	1	
3	1000307216	RAIL,VERTICAL 01	RED	1	
4	1000307401	RAIL,VERTICAL 03	STANDARD YELLOW	1	
4	1000307416	RAIL,VERTICAL 03	RED	1	
5	1000308701	RAIL,HORIZ UPR	STANDARD YELLOW	1	
5	1000308716	RAIL,HORIZ UPR	RED	1	
6	1000301601	RAIL, WC END TOE BOARD,E	STANDARD YELLOW	1	
6	1000301616	RAIL, WC END TOE BOARD,E	RED	1	
7	1000308301	RAIL, HORIZONTAL, MID	STANDARD YELLOW	1	
7	1000308316	RAIL, HORIZONTAL, MID	RED	1	
8	1000307701	RAIL,GATE	STANDARD YELLOW	1	
8	1000307716	RAIL,GATE	RED	1	
9	1000307601	RAIL,GATE LATCH		1	
10	HARD-649	0.25 X 1.25 BARREL SCRW,10-24		3	
11	SCREW-1100	10-24 X 0.50 PAN HEAD SCRW		3	
12	HARD-606-2	ORING,0.25 X 5		1	
13	HARD-645	PLUG,0.69 DIA,BLACK		25	
14	HARD-091	PLUG,1.25 SQR,BLACK,RIBBED		6	
15	MISC-031-05-KIT	ANTI-SLIP TAPE,4.00,37.50 LENG		3	
16	HARD-603	MANUAL BOX		1	
17	1000307501	RAIL,PLATE	STANDARD YELLOW	1	
17	1000307516	RAIL,PLATE	RED	1	
18	1000308001	RAIL, GATE TOE BOARD VERTICAL	STANDARD YELLOW	2	
18	1000308016	RAIL, GATE TOE BOARD VERTICAL	RED	2	
19	1000308101	RAIL,GATE TOE BOARD	STANDARD YELLOW USED ON HB-P830CE	1	
19	1000308116	RAIL,GATE TOE BOARD	RED USED ON HB-P830CE	1	
20	1000308201	RAIL,CTL BOX COVER		1	
21	ELEC-123-5	SWITCH,LIMIT,ROT LVR,NO/NC PO	USED ON HB-P830CE	1	
22	ELEC-123-5	SWITCH,LIMIT,ROT LVR,NO/NC PO	USED ON HB-P830CE	1	

# SECTION 5 | DECALS

## 5.1 | DECALS - ANSI ANSI

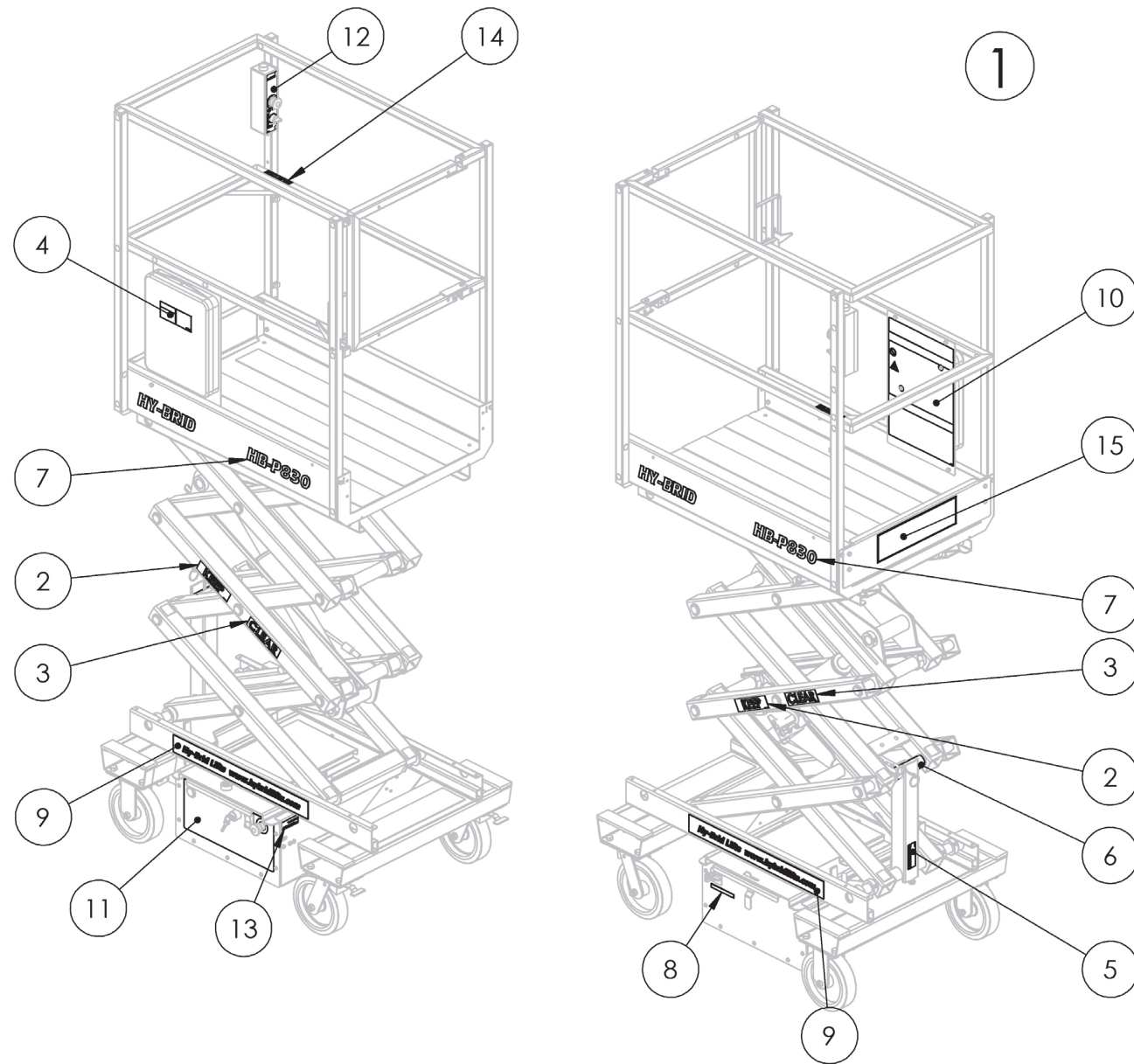


FIGURE 20: Decals - ANSI

Item #	Part Number	Part Description	Notes	Qty	Superseded By
1	1002103950-KIT	ASM,DECALS HB-P830 S2	KIT	1	
2	DE600-16C	DECAL, KEEP		2	DE727
3	DE600-16D	DECAL,CLEAR		2	DE728
4	DE600E-10	DECAL,MANUAL BOX		1	
5	DE600E-14	DECAL,MAINT LOCK		1	
6	DE600E-29	DECAL,E-DOWN		1	DE751
7	DE603-3	MODEL# DECAL-HB-P830		2	
8	DE636	DECAL,MASTER POWER SWITCH		1	
9	DE652	DECAL,WEBSITE		2	DE822
10	DE655	DECAL,RAIL HB-P830 S2		1	
11	DE657	DECAL,CTL LWR HB-P830S2		1	
12	DE661	DECAL,CTL UPR ANSI		1	
13	DE753	DECAL,CHARGER CORD		1	
14	DE746	DECAL,LANYARD ATTACHMENT		1	
15	DE821	DECAL,LOGO HY-BRID		1	
16	DE601	DECAL,LOGO HY-BRID	Superseded;	1	DE821
17	DE613	DECAL,LANYARD ATTACHMENT	Superseded;	1	DE746
18	DE619	DECAL,CHARGER CORD	Superseded;	1	DE753

5.2 | DECALS - CE  
**CE**

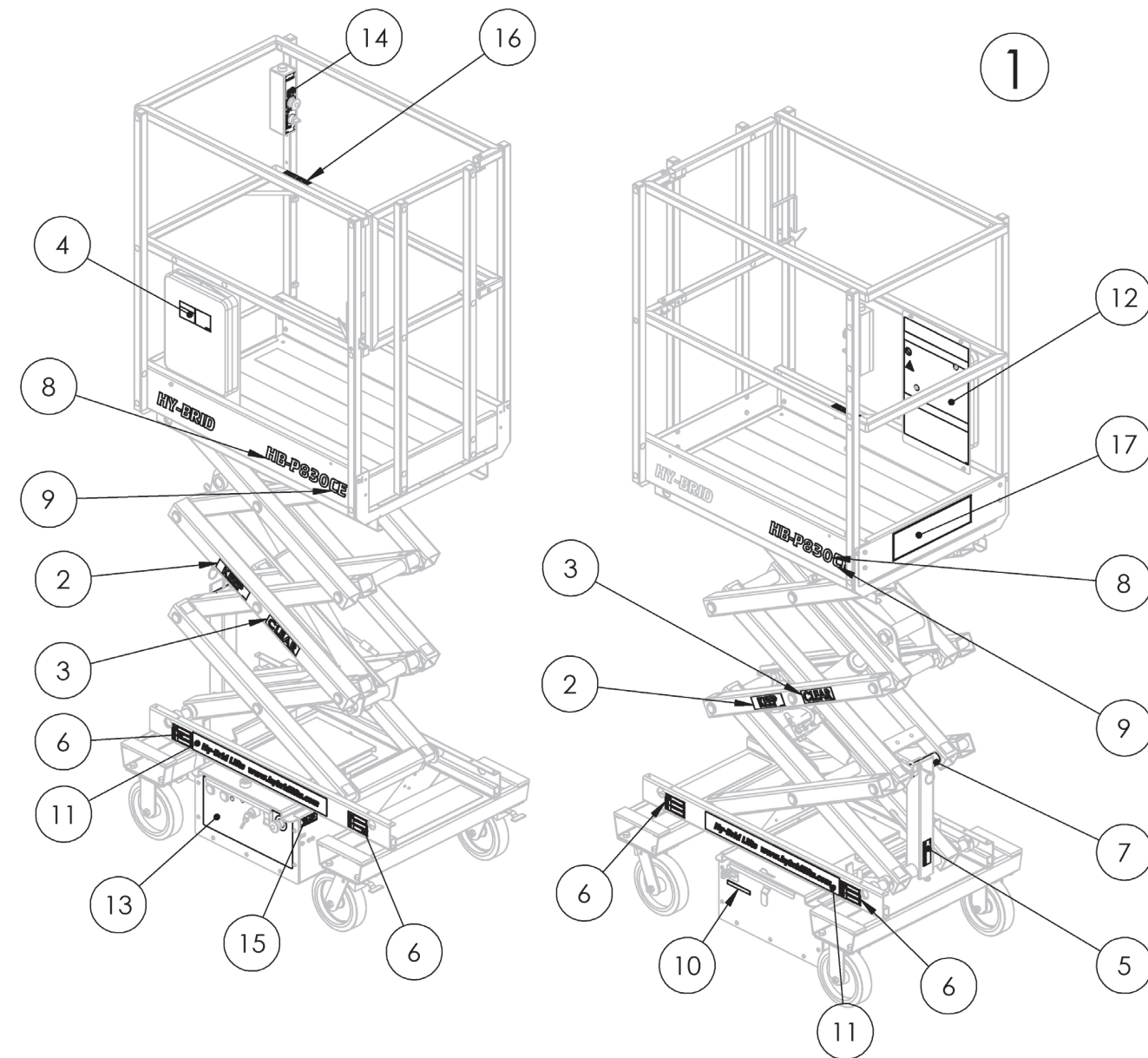
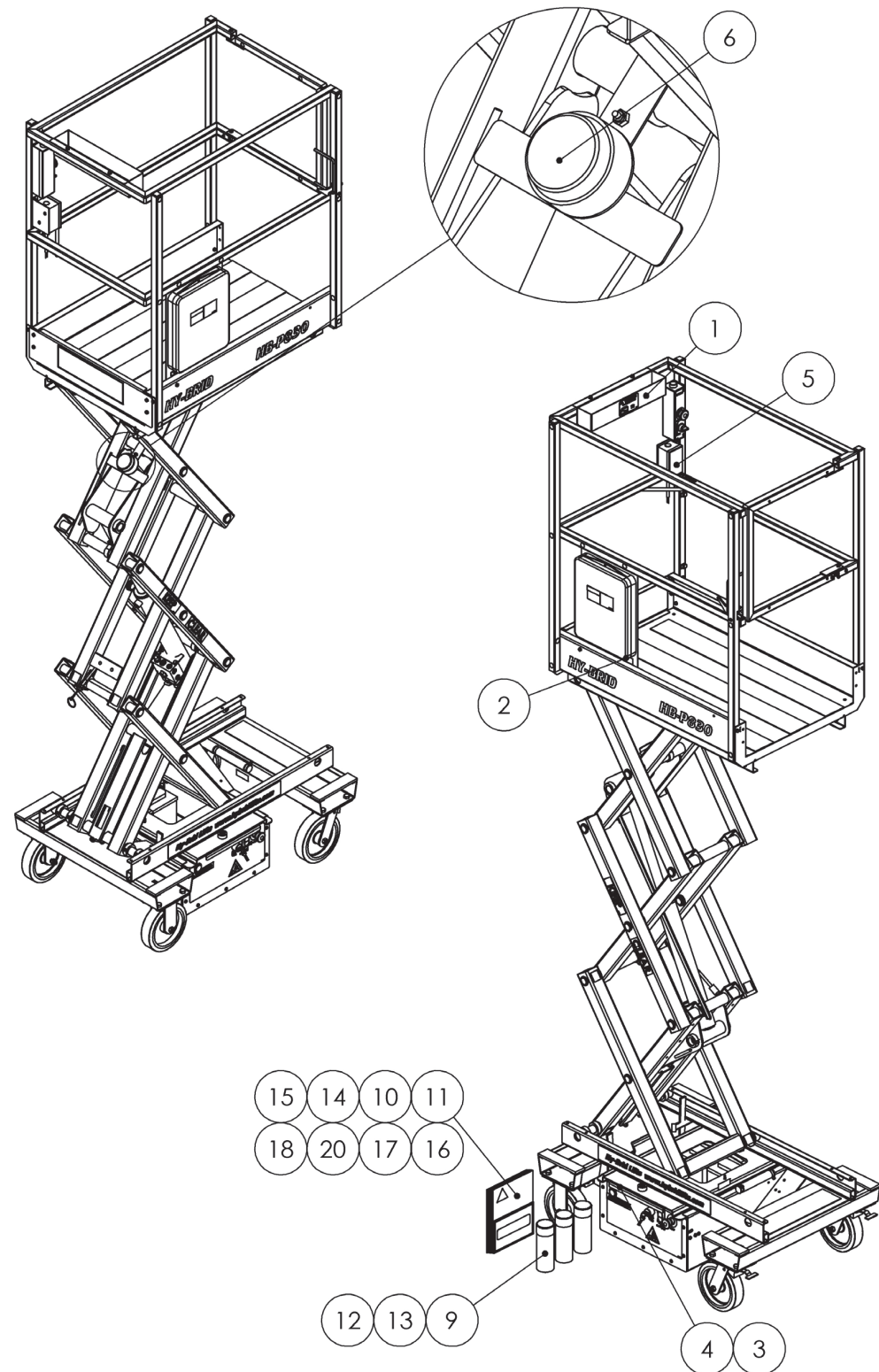


FIGURE 21: Decals - CE

Item #	Part Number	Part Description	Notes	Qty	Superseded By
1	1002103951-KIT	ASM,DECALS HB-P830CE S2	KIT	1	
2	DE600-16C	DECAL, KEEP		2	DE727
3	DE600-16D	DECAL,CLEAR		2	DE728
4	DE600E-10	DECAL,MANUAL BOX		1	
5	DE600E-14	DECAL,MAINT LOCK		1	
6	DE600E-24E	DECAL,WHEEL LOAD HB-P830CES2		4	
7	DE600E-29	DECAL,E-DOWN		1	DE751
8	DE603-3	MODEL# DECAL-HB-P830		2	
9	DE603E	DECAL,MODEL NUMBER,E		2	
10	DE636	DECAL,MASTER POWER SWITCH		1	
11	DE652	DECAL,WEBSITE		2	DE822
12	DE654	DECAL,RAIL HB-P830CE S2		1	
13	DE656	DECAL,CTL LWR HB-P830CES2		1	
14	DE662	DECAL,CTL UPR CE		1	
15	DE752	DECAL,CHARGER CORD (EU)		1	
16	DE746	DECAL,LANYARD ATTACHMENT		1	
17	DE821	DECAL,LOGO HY-BRID		1	
18	DE601	DECAL,LOGO HY-BRID	Superseded;	1	DE821
19	DE613	DECAL,LANYARD ATTACHMENT	Superseded;	1	DE746
20	DE629	DECAL,CHARGER CORD DECAL (EU)	Superseded;	1	DE752



Item #	Part Number	Part Description	Notes	Qty	Superseded By
1	1002000650-KIT	ASM,TOOL TRAY, HB		1	
2	1002101953	CONVERSION KIT:ANSI/CSA HB-PS2		1	
3	1002102250	MOTION ALARM, HB-P830		1	
4	1002102251	MOTION ALARM, HB-P830CE		1	
5	1002104050	ASM,PTP (HBP830S2)		1	
6	1002104150	BEACON,FLASHING (AMBER) HB8		1	
7	HS-HB-P830	HYDR SCH,HB-P	HYDRAULIC SCHEMATIC, FOR HB-P830	1	
8	HS-HB-P830CE	HYDR SCH,HB-P	HYDRAULIC SCHEMATIC, FOR HB-P830CE	1	
9	MISC-016	PAINT,RED TOUCH-UP SPRAY		1	
10	MISC-600	MANUAL,AERIAL PF		1	
11	MISC-601-1	MANUAL OF RESPONSIBILITY A92.3		1	
12	MISC-624	PAINT,WHITE TOUCH-UP SPRAY		1	
13	MISC-625	PAINT,YELLOW TOUCH-UP SPRAY		1	
14	SUPO-632	MANUAL,OP,HB-P830 S2		1	
15	SUPO-632E	MANUAL,OP HB-P830CE S2		1	
16	SUPO-633	MANUAL,MAINT,HB-P830 S2		1	
17	SUPO-633E	MANUAL,MAINT,HB-P830CE S2		1	
18	SUPO-634	DOCUMENT,CE DECL HB-P830S2		1	
19	SUPO-638	DOCUMENT,CSA DECL HB-P830S2		1	
20	SUPO-735	MANUAL,PARTS HB-P830/P830CE S2		1	

FIGURE 22: Options & Miscellaneous



# **HY-BRID LIFTS™**

BY CUSTOM EQUIPMENT LLC

---

Push-Around Aerial Work Platform  
Parts Manual  
HB-P830/HB-P830CE

---

© 2018 Custom Equipment, LLC  
2647 Highway 175  
Richfield, WI 53076  
U.S.A.  
Tel. +1-262-644-1300  
Fax: +1-262-644-1320  
[www.hybridlifts.com](http://www.hybridlifts.com)  
[Service@Customequipmentlifts.com](mailto:Service@Customequipmentlifts.com)

"Hy-Brid Lifts" is a trademark of Custom Equipment, LLC.  
These machines comply with specified ANSI, CSA, & EN 280  
requirements

Revision Date: April 2018

Printed In The USA