

# **HY-BRID LIFTS™**

BY CUSTOM EQUIPMENT LLC

## **PARTS MANUAL**

SELF-PROPELLED AERIAL WORK PLATFORM

SUPO-732

REV A



## **HB-1030CE**

## **HB-1430CE**

SERIES II

Model HB-1030CE Serial # Ranges:  
E110001-E110011  
A110012-A110014  
E01-10015-E01-10056

Model HB-1430CE Serial # Ranges:  
E210002-E210011  
A21000-A210018  
E02-10014-E02-10107



# TABLE OF CONTENTS

NOTES.....	2
SERIAL NUMBER REFERENCE.....	3
TABLE OF CONTENTS.....	4
INDEX OF FIGURES.....	5
<b>SECTION 1   BASE .....</b>	<b>6</b>
1.1   POTHOLE GUARD PARTS.....	6
1.2   POTHOLE ACTUATOR SUBPARTS.....	7
1.3   STEER PARTS.....	8
1.4   FRONT WHEEL SUBPARTS.....	8
1.5   STEER ACTUATOR PARTS.....	9
1.6   CENTER STEER SUBPARTS.....	10
1.7   CASTER SUBPARTS.....	11
1.8   DRIVE PARTS.....	12
1.9   DRIVE SUBPARTS.....	14
1.10   BRAKE SUBPARTS.....	16
1.11   PUMP PARTS.....	17
1.12   PUMP SUBPARTS.....	18
1.13   MISCELLANEOUS BASE PARTS.....	20
<b>SECTION 2   CONTROLS .....</b>	<b>22</b>
2.1   ELECTRICAL PARTS.....	22
2.2   UPPER CONTROL PARTS.....	24
2.3   LOWER CONTROL PARTS.....	25
2.4   E-STOP SWITCH SUBPARTS.....	26
2.5   KEY SWITCH SUBPARTS.....	26
2.6   MASTER POWER SWITCH SUBPARTS.....	27
<b>SECTION 3   SCISSORS .....</b>	<b>28</b>
3.1   PARTS - 14 FT.....	28
3.2   PARTS - 10 FT.....	30
3.3   CYLINDER SUBPARTS - 14 FT.....	32
3.4   CYLINDER SUBPARTS - 10 FT.....	34
<b>SECTION 4   PLATFORM &amp; RAILS.....</b>	<b>36</b>
<b>SECTION 5   DECALS.....</b>	<b>38</b>
5.1   DECALS - 14 FT.....	38
5.2   DECALS - 10 FT.....	40
<b>SECTION 6   OPTIONS &amp; MISCELLANEOUS .....</b>	<b>42</b>

# INDEX OF FIGURES

FIGURE 1: Pothole Guard Parts.....	6
FIGURE 2: Pothole Actuator Subparts.....	7
FIGURE 3: Steer Parts.....	8
FIGURE 4: Front Wheel Subparts.....	8
FIGURE 5: Steer Actuator Parts.....	9
FIGURE 6: Center Steer Subparts.....	10
FIGURE 7: Caster Subparts.....	11
FIGURE 8: Drive Parts.....	12
FIGURE 9: Drive Subparts.....	14
FIGURE 10: Brake Subparts.....	16
FIGURE 11: Pump Parts.....	17
FIGURE 12: Pump Subparts.....	18
FIGURE 13: Miscellaneous Base Parts.....	20
FIGURE 14: Electrical Parts.....	22
FIGURE 15: Upper Control Parts.....	24
FIGURE 16: Lower Control Parts.....	25
FIGURE 17: E-Stop Switch Subparts.....	26
FIGURE 18: Key Switch Subparts.....	26
FIGURE 19: Master Power Switch Subparts.....	27
FIGURE 20: Parts-14 FT.....	28
FIGURE 21: Parts-10 FT.....	30
FIGURE 22: Cylinder Subparts-14 FT.....	32
FIGURE 23: Cylinder Subparts-10 FT.....	34
FIGURE 24: Platform & Rails.....	36
FIGURE 25: Decals - 14 FT.....	38
FIGURE 26: Decals - 10 FT.....	40
FIGURE 27: Options & Miscellaneous.....	42

## 1.1 | POTHOLE GUARD PARTS

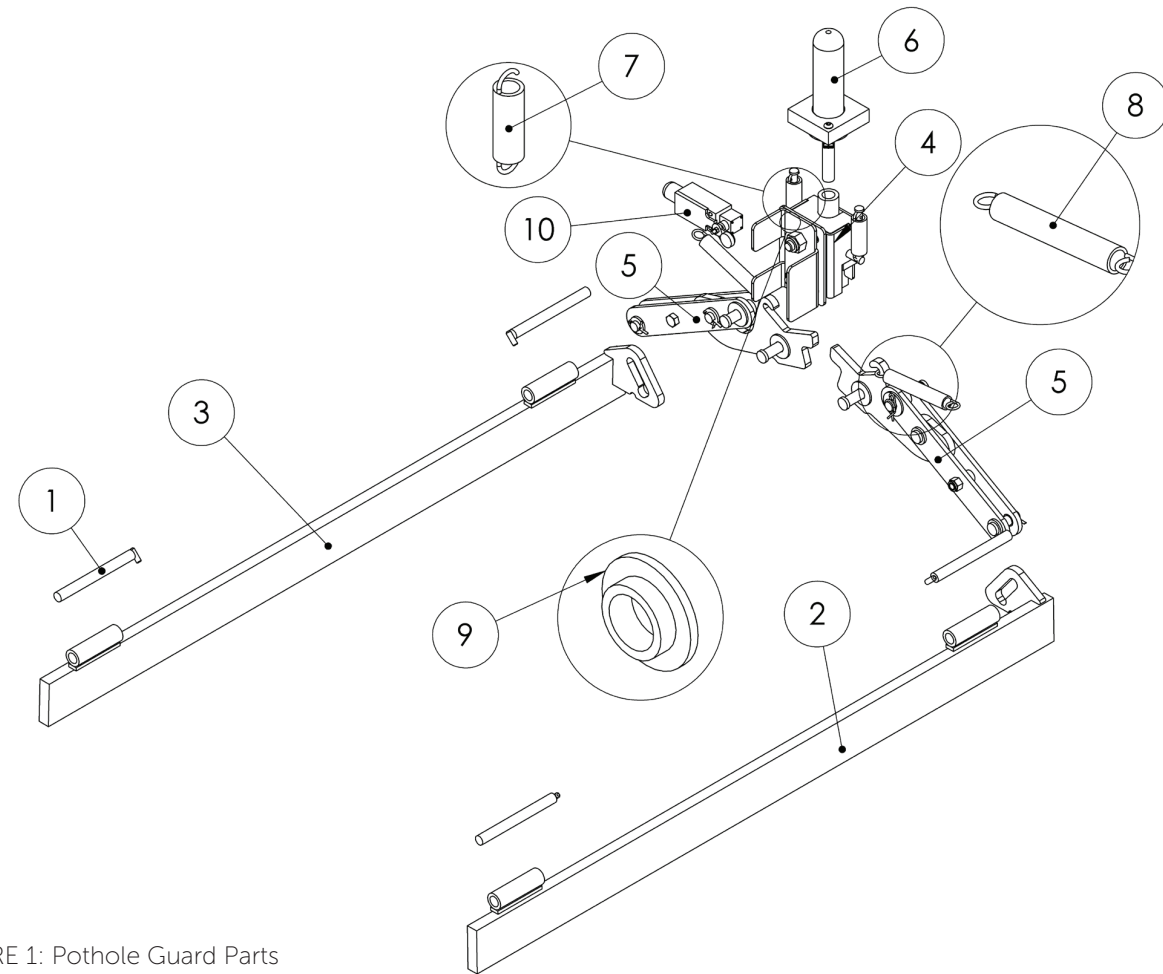


FIGURE 1: Pothole Guard Parts

Item #	Part Number	Part Description	Notes	Qty	Superseded By
1	RND-HB-002-P	PIN,HINGE,0.50,5.0		4	
2	HB-PH-21-L-EC	BASE,PH BAR L (HB2 10.0 WHL)		1	
3	HB-PH-21-R-EC	BASE,PH BAR R (HB2 10.0 WHL)		1	
4	1022101862-KIT	ASM,BASE PH LOCK		1	
5	1002100191-KIT	ASM,BASE PH ARMS		1	
6	SUB A28-KIT	ASM,BASE PH ACT		1	
7	HARD-702	SPRING, EXT 3X .75		2	
8	HARD-701	SPRING,EXT 5.5X.69		2	
9	HARD-626-3	WASH,0.38ID,0.5D,0.19THK,NYL		1	
10	ELEC-123-5	SWITCH,LIMIT,ROT LVR,NO/NC PO		1	

## 1.2 | POTHOLE ACTUATOR SUBPARTS

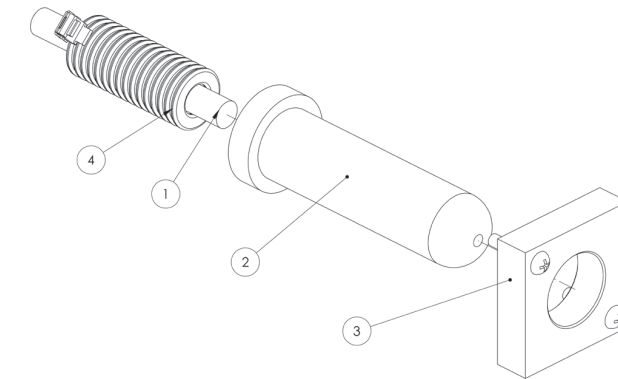


FIGURE 2: Pothole Actuator Subparts

Item #	Part Number	Part Description	Notes	Qty	Superseded By
1	HB-M220-P	PH PLUNGER ROD		1	
2	HB-PH-20	BASE,PH RET SLEEVE		1	
3	HB-PH-13	BASE,PH GUIDE BLOCK-1.5 ID		1	
4	HARD-654	SPRING,COMP,3 X 1.25		1	

1.3 | STEER PARTS

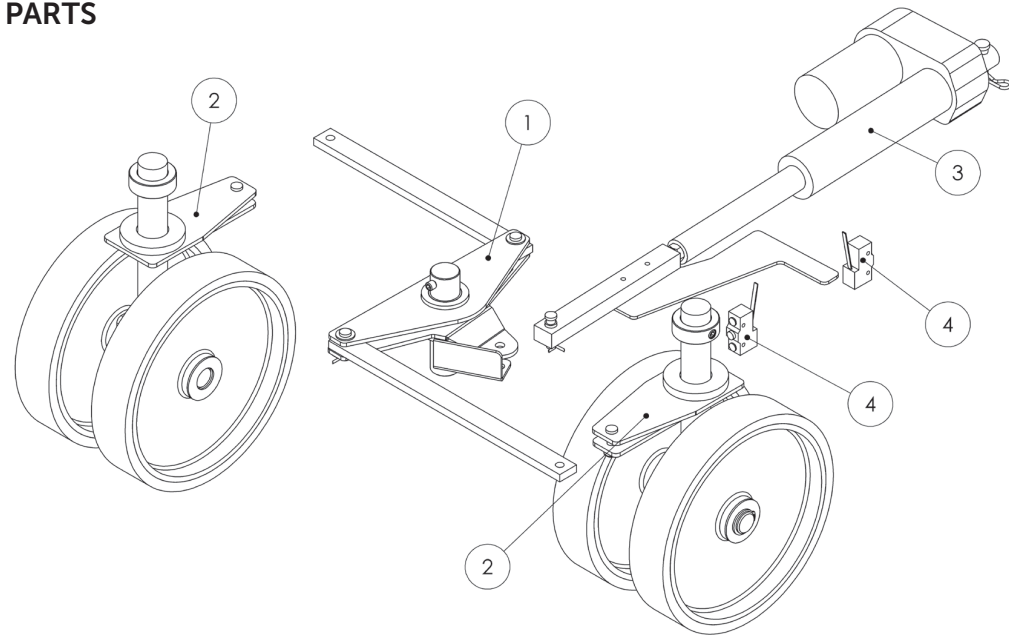


FIGURE 3: Steer Parts

Item #	Part Number	Part Description	Notes	Qty	Superseded By
1	SUB A26-KIT	ASM,BASE CENTER STEER		1	
2	SUB A27-KIT	ASM,BASE CASTER 10 WHL		2	
3	SUB A29-KIT	ASM,BASE STEER ACT		1	
4	ELEC-624	SWITCH,LIMIT STRAIGHT LEVER		1	

1.4 | FRONT WHEEL SUBPARTS

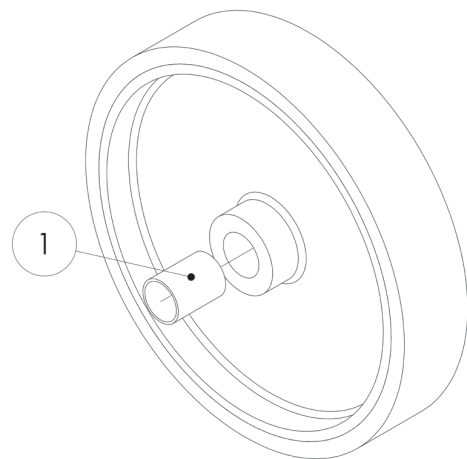


FIGURE 4: Front Wheel Subparts

Item #	Part Number	Part Description	Notes	Qty	Superseded By
1	HARD-001-1	DU BEARING,1 ID X 1.5 L		1	

1.5 | STEER ACTUATOR PARTS

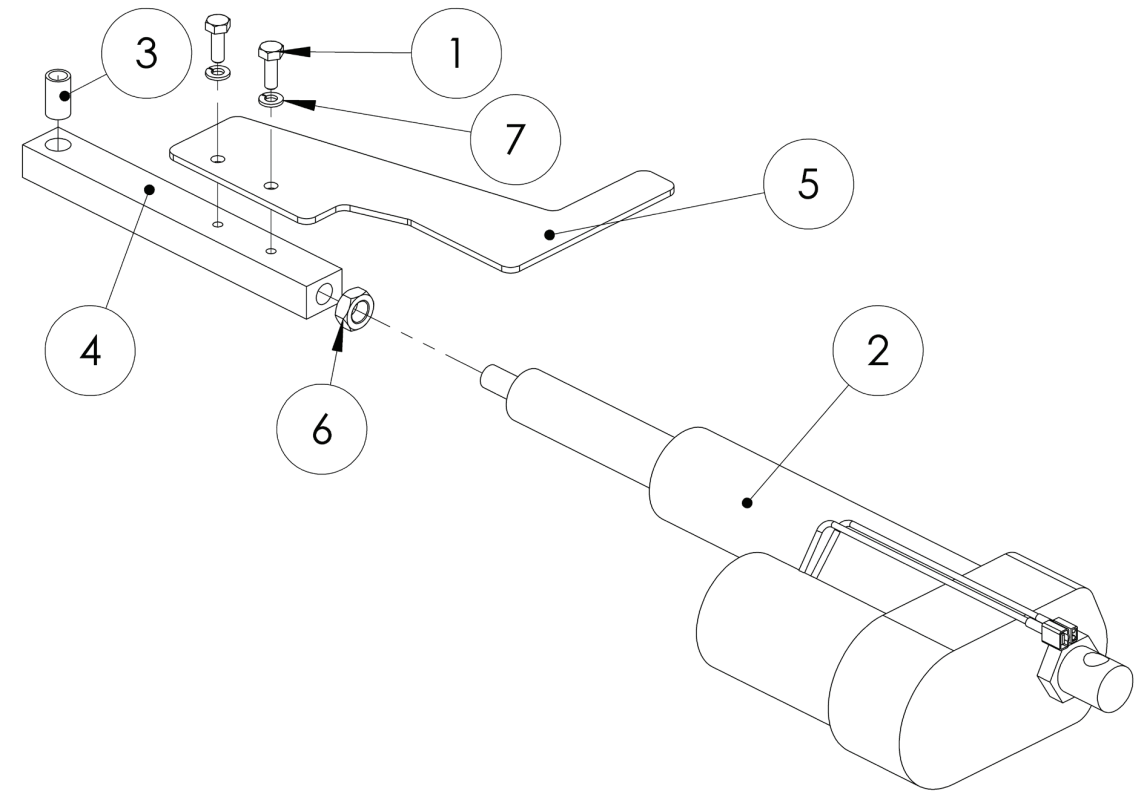


FIGURE 5: Steer Actuator Parts

Item #	Part Number	Part Description	Notes	Qty	Superseded By
1	BOLT-2502	1/4-20 X .75 HHCS		2	
2	ELEC-650	ACTUATOR,LINER		1	
3	HARD-620	BUSHING,0.38,0.50,0.88		1	
4	HB-M205-P	BASE,STEER ACT EXT		1	
5	112-01-223-02	BASE,STEER LS ACT		1	
6	NUTS-6000	1/2-20 HEX JAM NUT (THIN)		1	
7	WASH-2521	1/4 LOCK WASHER		2	

## 1.6 | CENTER STEER SUBPARTS

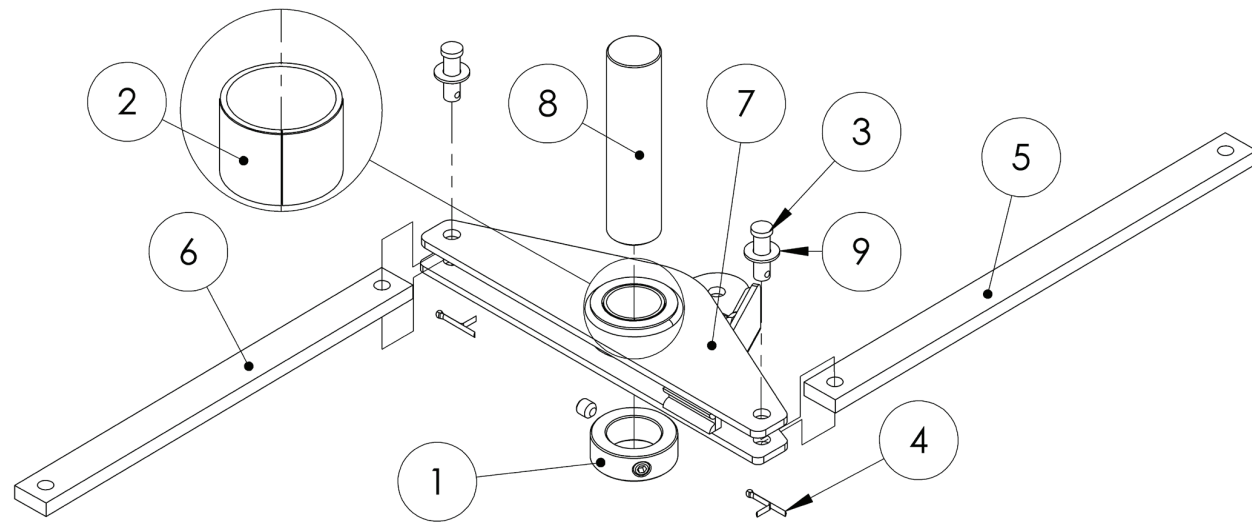


FIGURE 6: Center Steer Subparts

Item #	Part Number	Part Description	Notes	Qty	Superseded By
1	1021000102	SET COLLAR,1.25 ID		1	
2	HARD-001	DU BEARING, 1.25 ID, 1 LENGTH		1	
3	HARD-641-5	CLEVIS PIN,3/8 X 1.25,PLATED		2	
4	HARD-643	COTTER PIN, 5/32 X 1		2	
5	HB-ST-2-A-P	BASE,TIE ROD LONG		1	
6	HB-ST-3-A-P	BASE,TIE ROD SHORT		1	
7	HB-ST-4-B-KIT	BASE,STEER WLDMNT (HB2)		1	
8	PB-0018-P	PIN,STEER,1.25,6.0		1	
9	WASH-3800	3/8 FLAT WASHER		2	

## 1.7 | CASTER SUBPARTS

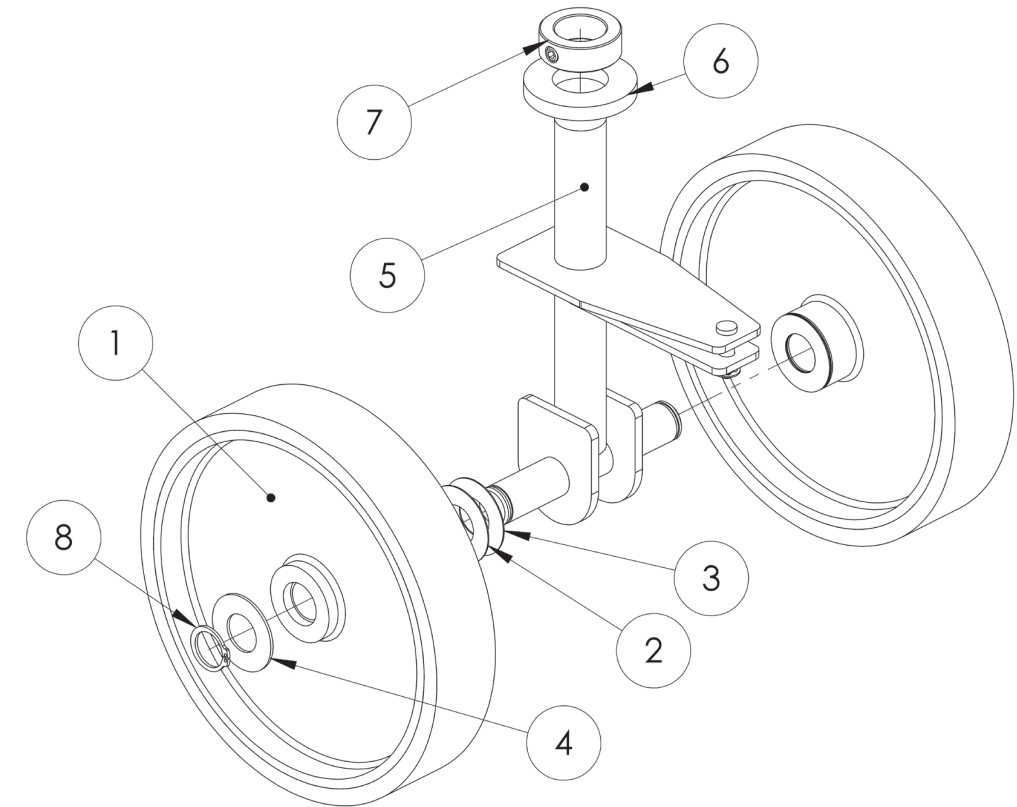


FIGURE 7: Caster Subparts

Item #	Part Number	Part Description	Notes	Qty	Superseded By
1	WHEE-604-KIT	WHL,10X2,GREY UR	Includes DU bearing	2	
2	WHEE-609-P	WASHER,1.015 IDX2 ODX.03 THK P		2	
3	WHEE-609-SS	WASHER, 1.015ID,2OD,.03 THK SS		2	
4	WHEE-603-2-P	WASHER,1.0 ID,2.0 OD,.075 THK		2	
5	PB-0021-P	BASE,CASTER FRONT		1	
6	HARD-615-2	THRUST BEARING,.38 THK,UHMW		1	
7	1021000102	SET COLLAR,1.25 ID		1	
8	HARD-021	RET RING 1.0		2	

1.8 | DRIVE PARTS

Item #	Part Number	Part Description	Notes	Qty	Superseded By
1	ELEC-626-4L-KIT	DRIVE MOTOR,24V ELEC,HB,DUM,L	GREY/YEL LEADS; DUMORE: HOUSING ALL SILVER	1	
2	ELEC-626-4R-KIT	DRIVE MOTOR,24V ELEC,HB,DUM,R	BLUE/VIOLET LEADS; DUMORE: HOUSING ALL SILVER	1	
3	ELEC-627-COVER	COVER,VINYL		2	
4	ELEC-626-3L-KIT	DRIVE MOTOR,24V ELE,HB,EUC	GREY/YEL LEADS; EUCLID: HOUSING WITH BLACK STRIP	1	
5	ELEC-626-3R-KIT	DRIVE MOTOR,24V ELE,HB,EUC	BLUE/VIOLET LEADS; EUCLID: HOUSING WITH BLACK STRIP	1	
6	SCREW-2011	5/16-18 X 1 SS CUP PT SET SCRW		2	
7	WHEE-600-1	WHL,10X4 GREY UR KW 1.0		2	
8	HARD-157	KEY,0.25 X 0.25 X 2		2	
9	HARD-021	RET RING 1.0		4	

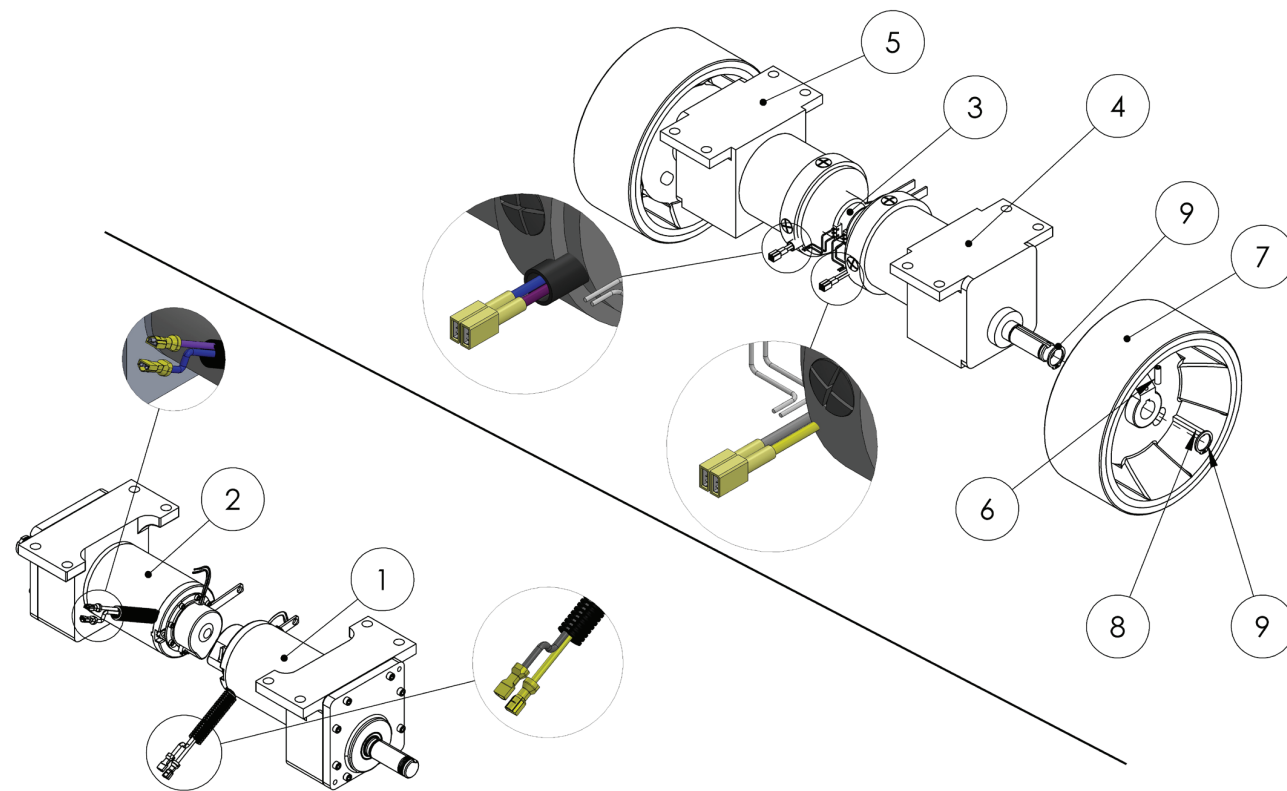
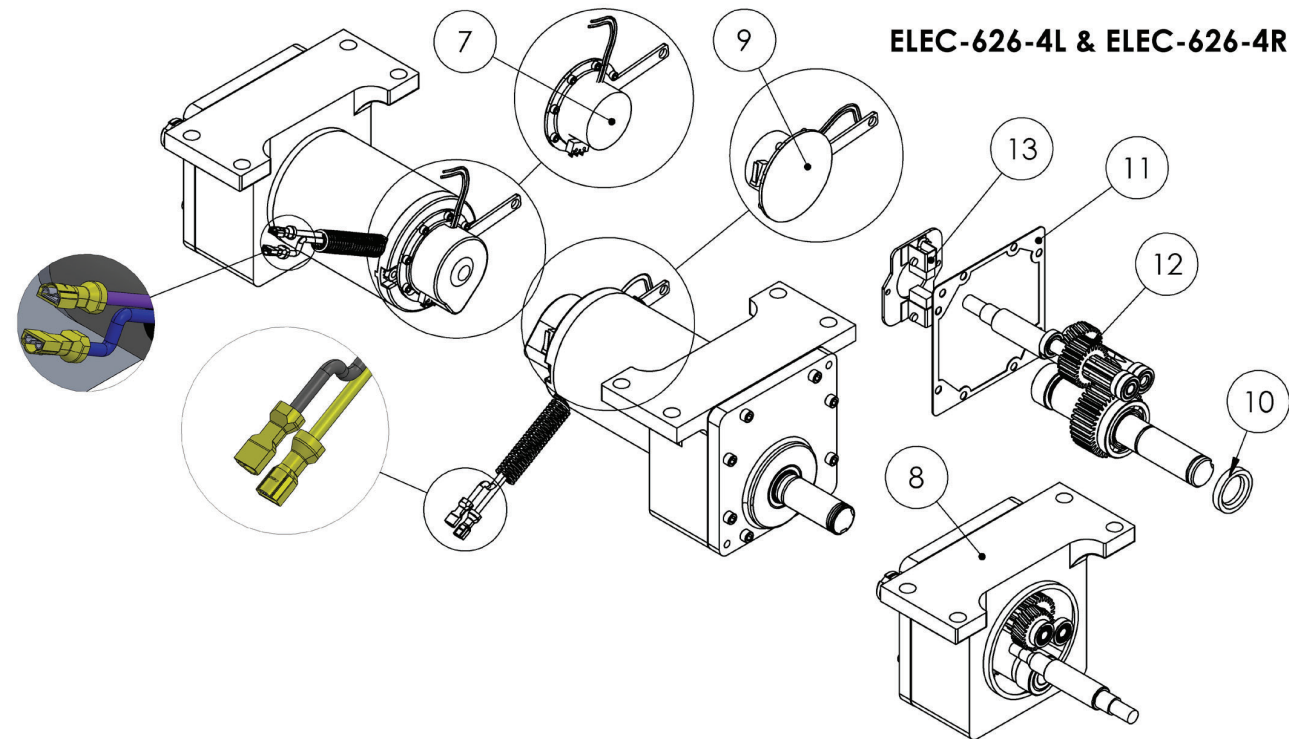
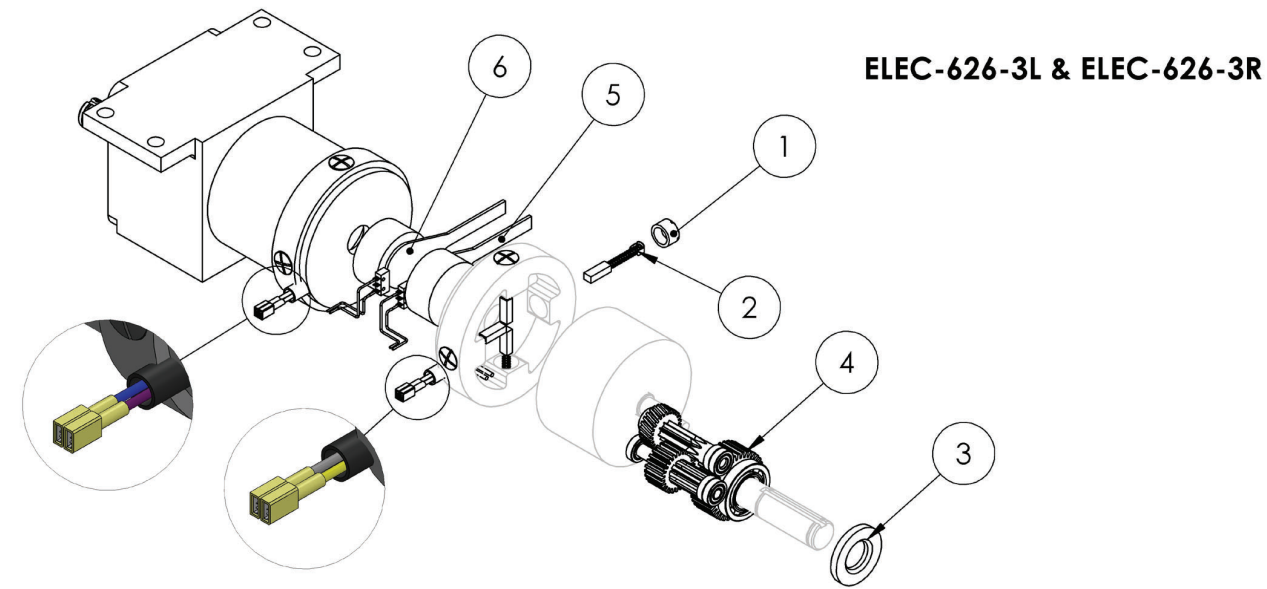


FIGURE 8: Drive Parts

1.9 | DRIVE SUBPARTS



Item #	Part Number	Part Description	Notes	Qty	Superseded By
1	ELEC-626-BRSHCP	DRIVE MOTOR BRUSH CAP	EUCLID: HOUSING WITH BLACK STRIP	1	
2	ELEC-626-BRUSH	DRIVE MOTOR BRUSHES	EUCLID: HOUSING WITH BLACK STRIP	1	
3	ELEC-626-3A	DRIVE MOTOR SHAFT SEAL,EUC	EUCLID: HOUSING WITH BLACK STRIP	1	
4	ELEC-626-G	DRIVE MOTOR GEARS,HB,EUC	EUCLID: HOUSING WITH BLACK STRIP	1	
5	ELEC-627-3L	DRIVE MOTOR BRAKE L,HB,EUC	EUCLID: HOUSING WITH BLACK STRIP	1	
6	ELEC-627-3R	DRIVE MOTOR BRAKE R,HB,EUC	EUCLID: HOUSING WITH BLACK STRIP	1	
7	ELEC-627-5R	DRIVE MOTOR BRAKE R,HB,DUM	DUMORE: HOUSING ALL SILVER	1	
8	ELEC-626-4C	DRIVE MOTOR GEARBOX,DUM	DUMORE: HOUSING ALL SILVER	1	
9	ELEC-627-5L	DRIVE MOTOR BRAKE L,HB,DUM	DUMORE: HOUSING ALL SILVER	1	
10	ELEC-626-4A	DRIVE MOTOR SHAFT SEAL,DUM	DUMORE: HOUSING ALL SILVER	1	
11	ELEC-626-4B	DRIVE MOTOR HOUSING GASKET,DUM	DUMORE: HOUSING ALL SILVER	1	
12	ELEC-626-4G	DRIVE MOTOR GEARS,HB,DUM	DUMORE: HOUSING ALL SILVER	1	
13	ELEC-626-4BRUSH	BRUSH KIT,DUMORE	DUMORE: HOUSING ALL SILVER	1	

FIGURE 9: Drive Subparts



1.10 | BRAKE SUBPARTS

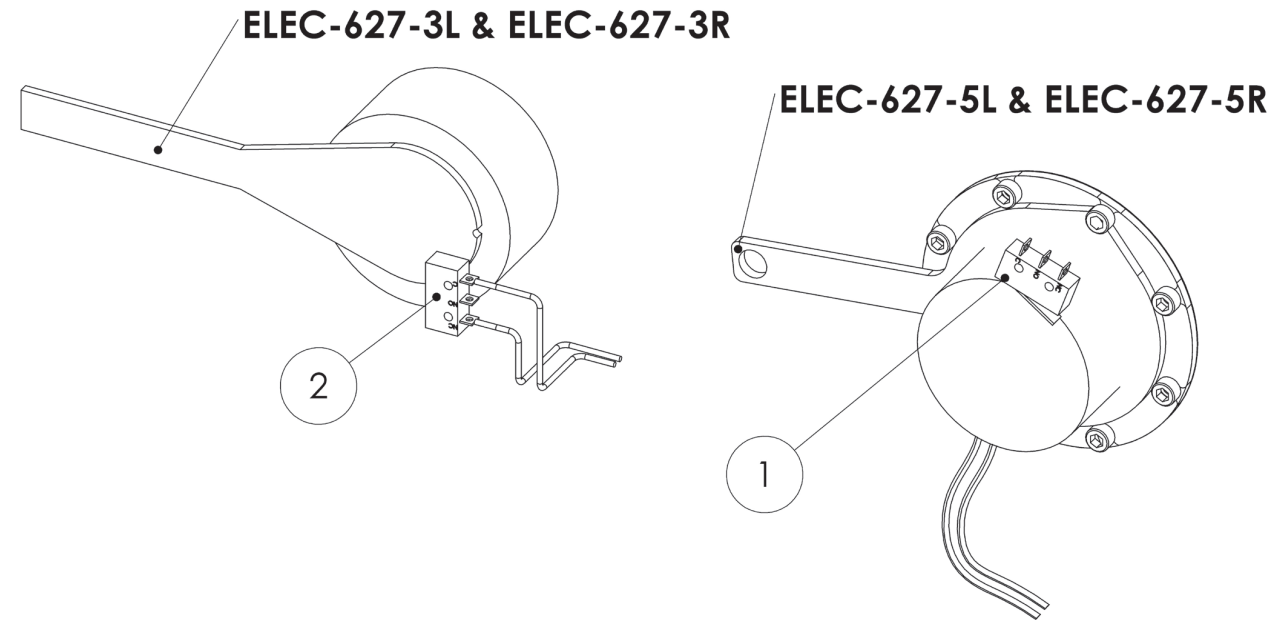


FIGURE 10: Brake Subparts

Item #	Part Number	Part Description	Notes	Qty	Superseded By
1	ELEC-126-7-KIT	SWITCH,LIMIT,STRAIGHT LVR MICR	DUMORE: HOUSING ALL SILVER	1	
2	ELEC-627-4-KIT	SWITCH,LIMIT,BUTTON MICRO	EUCLID: HOUSING WITH BLACK STRIP	1	

1.11 | PUMP PARTS

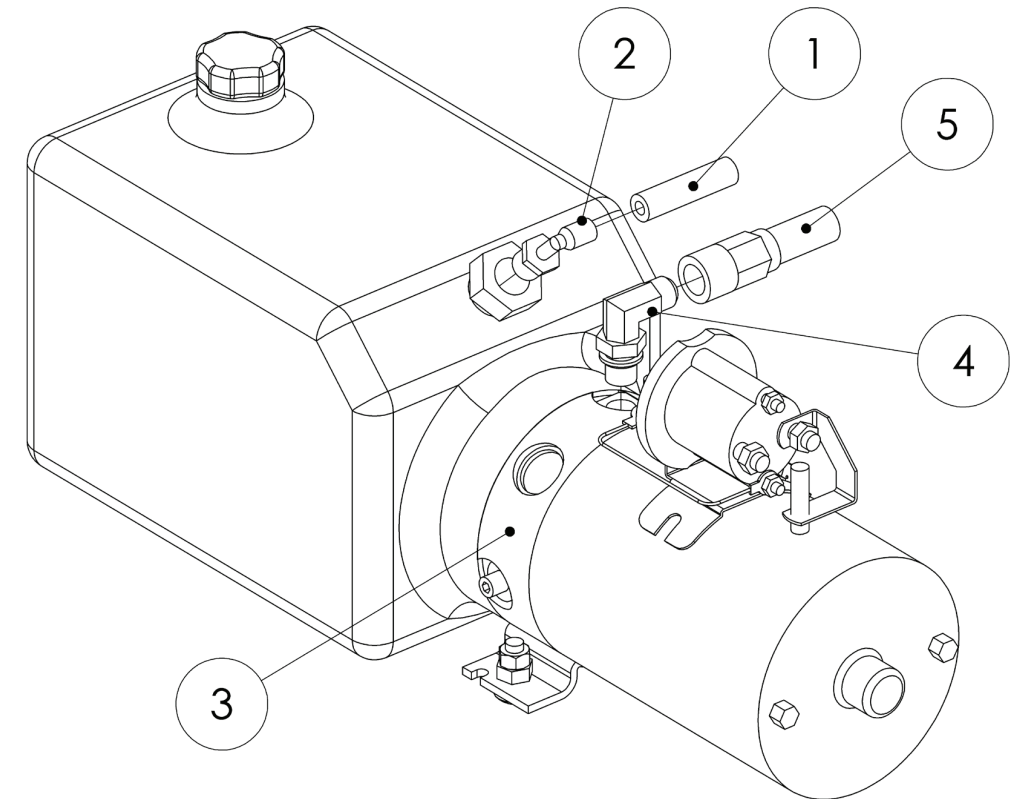


FIGURE 11: Pump Parts

Item #	Part Number	Part Description	Notes	Qty	Superseded By
1	HYDR-022-3	HOSE,HYD RETURN	Quantity in inches, for HB1430CE	163	
1	HYDR-022-3	HOSE,HYD RETURN	Quantity in inches, for HB1030CE	102	
2	HYDR-019	FITTING,ELB,NPTM 3/8-1/4 PUSH		1	
3	HYDR-050-1E	PUMP,24VDC,0.125,1.15,NA	Entire pump	1	
4	HYDR-035	FITTING,ELB,JICM9/16-SAEORM#6		1	
5	HYDR-600-6	HOSE ASM,HB-3X	For 1430	1	
5	HYDR-600	HOSE ASM,HB-2X	For 1030	1	

1.12 | PUMP SUBPARTS

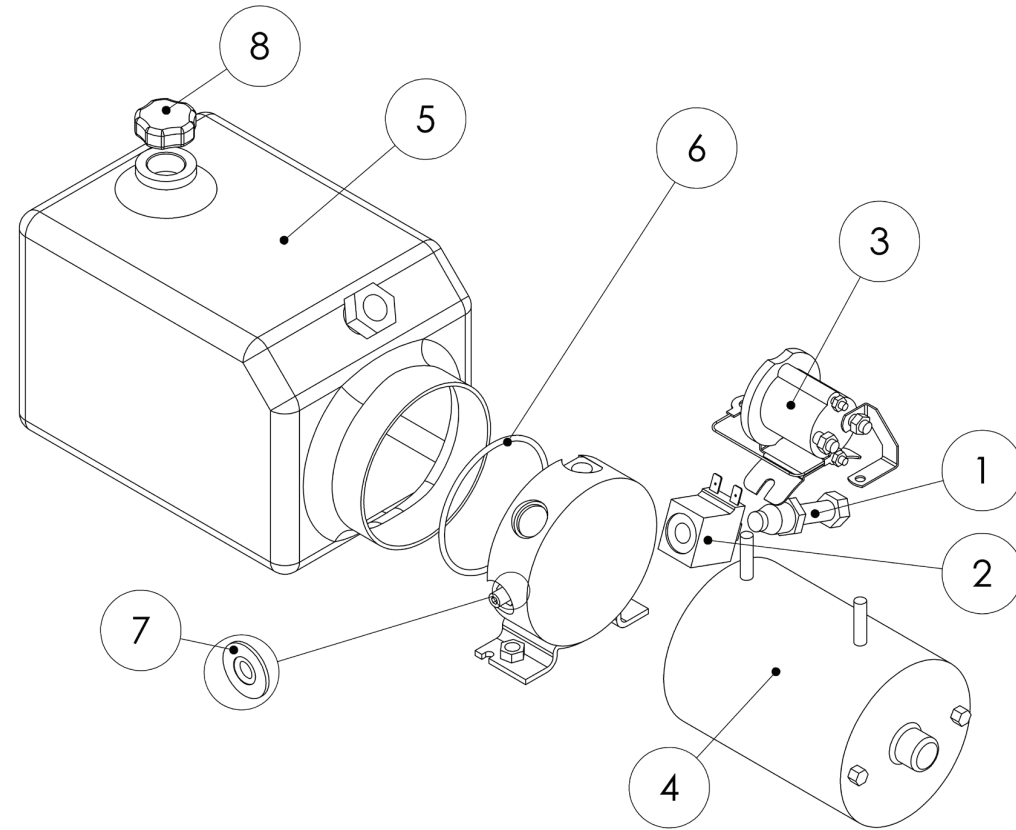


FIGURE 12: Pump Subparts

Item #	Part Number	Part Description	Notes	Qty	Superseded By
1	HYDR-665	VALVE,NO,2W/2P,#8,UP		1	
2	HYDR-664	COIL,18V		1	
3	HYDR-666-1	SOLENOID,24V,ISOLATED,SPST		1	
4	HYDR-050-1MOTOR	PUMP MOTOR,24V,0.125 CIR		1	
5	HYDR-067	PUMP RESERVOIR,1.15 GAL		1	
6	HYDR-068	PUMP RESERVOIR O-RING		1	
7	HYDR-667	WASH,0.38 ID,0.75 OD,PRES SEAL		1	
8	HYDR-042	PUMP RESERVOIR CAP		1	

THIS PAGE WAS INTENTIONALLY LEFT BLANK

1.13 | MISCELLANEOUS BASE PARTS

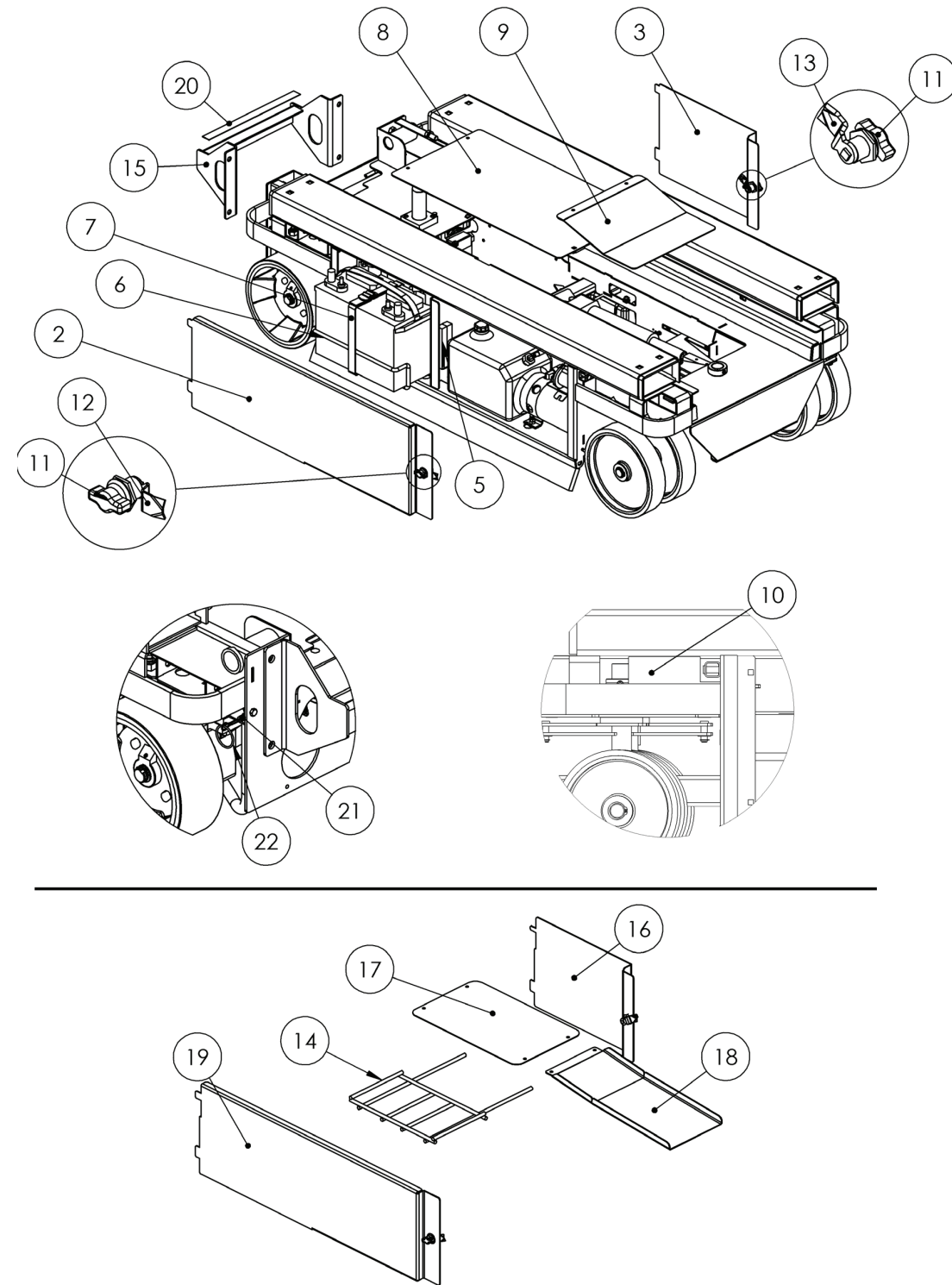


FIGURE 13: Miscellaneous Base Parts

Item #	Part Number	Part Description	Notes	Qty	Superseded By
1	1020102701	BASE,ACCESS STEP W/ BALLAST	FOR HB-1430CE	1	
1	LAS-M100-E-PC	BASE,ACCESS STEP	FOR HB-1030CE	1	
2	1020500401-KIT	COVER,PUMP SIDE	E01-10057-E01-10072 E02-0072-E02-10107	1	
3	1020500301-KIT	COVER,BATT CONTROL SIDE	E01-10057-E01-10072 E02-0072-E02-1010	1	
4	HARD-633D	CAM, CABINET LATCH		1	
4	HARD-633E	.31 CAM,CABINET LATCH	Superseded	0	HARD-633D
5	HB-M215-P	MAINT LOCK PIN (SQUARE)		2	
6	1020123502	BASE,BATT TRAY	E01-10057-E01-10072 E02-0072-E02-1010	2	
7	HARD-054	BATTERY STRAP/BUCKLE		2	
8	1020500101	COVER,BASE TOP	E01-10057-E01-10072 E02-0072-E02-1010	1	
9	1020500201	COVER,FRONT	E01-10057-E01-10072 E02-0072-E02-1010	1	
10	112-01-001-03-K	BASE,CASTER HUB SUPPORT		1	
11	HARD-633B	CABINET LATCH HANDLE		2	
12	HARD-633C	0.23 CAM,CABINET LATCH		1	
14	HB-0001-P	BASE,BATT TRAY	E110001-E110011, A110012-A110014 E01-10015-E01-10056 E210002-E210011,A210012-A210018 E02-10014-E02-10075	2	
16	LAS-M226-KIT	COVER, SIDE CTL	E110001-E110011, A110012-A110014 E01-10015-E01-10056 E210002-E210011,A210012-A210018 E02-10014-E02-10075	1	
17	LAS-M230-PC	COVER,REAR	10 in. wide x 16.19 long E110001-E110011, A110012-A110014 E01-10015-E01-10056 E210002-E210011,A210012-A210018 E02-10014-E02-10075	1	
18	LAS-M231-PC	COVER,FRONT	18 in. long, 8 in. wide E110001-E110011, A110012-A110014 E01-10015-E01-10056 E210002-E210011,A210012-A210018 E02-10014-E02-10075	1	
19	LAS-M246-KIT	COVER,SIDE PUMP	E110001-E110011, A110012-A110014 E01-10015-E01-10056 E210002-E210011,A210012-A210018 E02-10014-E02-10075	1	
20	MISC-030-01-KIT	ANTI-SLIP TAPE,1, 13.75 LENGTH		1	
21	HARD-644-01	LOW FRICTION CABLE,60/70	FOR HB-1030CE	1	
21	HARD-644-02	LOW FRICTION CABLE, 80/90	FOR HB-1430CE	1	
22	HARD-651	1.40 ID,RING		1	

## 2.1 | ELECTRICAL PARTS

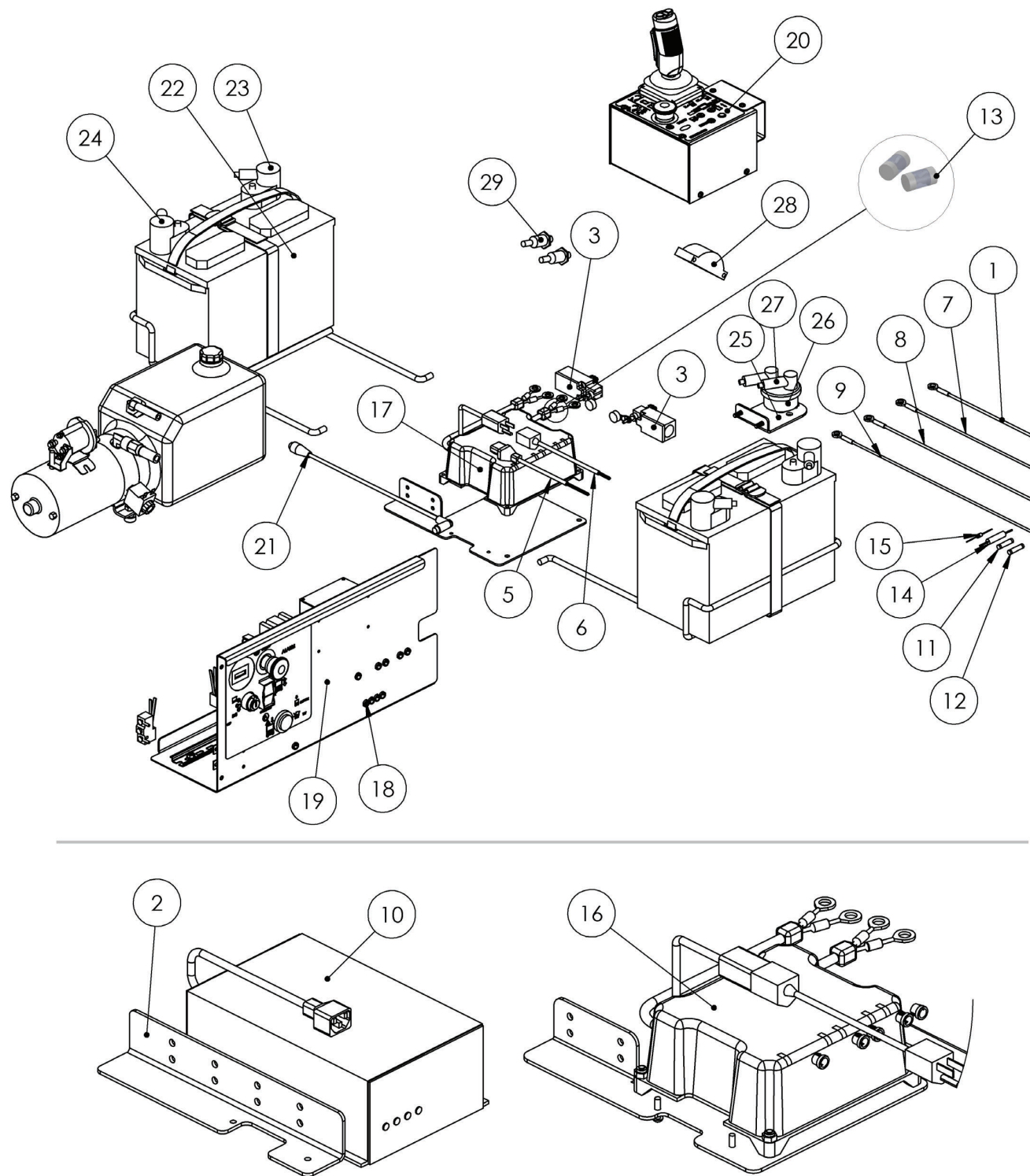


FIGURE 14: Electrical Parts

Item #	Part Number	Part Description	Notes	Qty	Superseded By
1	1002101650	CABLE,6GA,BLACK,36,B/B		1	
2	1020101016	BASE,CONTROL LWR WIRE PLATE		1	
3	ELEC-123-2	SWITCH,LIMIT,ROT LVR,NO/NC PO		2	ELEC-123-5
3	ELEC-123-5	SWITCH,LIMIT,ROT LVR,NO/NC PO		1	
5	ELEC-639-11	CORD,IEC AC WIRE/IEC C13,36.0		1	
6	ELEC-639-25	CORD,NEMA 5-15P/IEC AC,12.0		1	
7	ELEC-641A	CABLE,6GA,BLACK,63,B/B		1	
8	ELEC-641C	CABLE,6GA,RED,50,B/R		1	
9	1002101798	CABLE,6GA,RED,54,R/R		1	
10	ELEC-645	CHARGER, 24V	MAY BE REPLACED WITH ELEC-747-KIT	1	
11	ELEC-670-2	FUSE 20 AMP AGC		1	
12	ELEC-670-4	FUSE,7.5 AMP AGC		1	
13	ELEC-670-6	FUSE 30 AMP,PCS		1	
14	ELEC-687	4-OHM RESISTOR		1	
15	ELEC-688	DIODE TVS 1.5KE		1	
16	ELEC-747-KIT	CHARGER,24V		1	
17	ELEC-747-KITA	CHARGER,24V	RETROFIT ELEC-645 TO ELEC-747	1	
18	HARD-658	PLUG,0.38 DIA,TRANSPARENT		10	
19	SUBA8003E	ASM,CTL LWR HBLGS2 CE		1	
20	SUB A9003E	UPPER CONTROLS (DT-EU)		1	
21	SUB A13006E	CTL,WIRE HARNESS,MAIN HBLGS2CE		1	
22	N/A	BATTERY,12V,GR27 HD DEEP CYCLE		2	
23	ELEC-634A	BATTERY BOOT (RED)		2	
24	ELEC-634B	BATTERY BOOT (BLACK)		2	
25	LAS-M142-EC	BASE, BATT SWITCH BRKT		1	
26	ELEC-633-KIT	SWITCH,MASTER DISCONNECT		1	
27	ELEC-634D	TERMINAL BOOT (BLACK)		2	
28	ELEC-647	SENSOR,ANGLE		1	
29	ELEC-648-2	SENSOR,PRESSURE		2	
30	WD-HB2E	WD,HBLGCE S2	WIRING DIAGRAM	1	
31	WS-HB2E	ELEC SCH,HBLGCE S2	ELECTRICAL SCHEMATIC	1	

2.2 | UPPER CONTROL PARTS

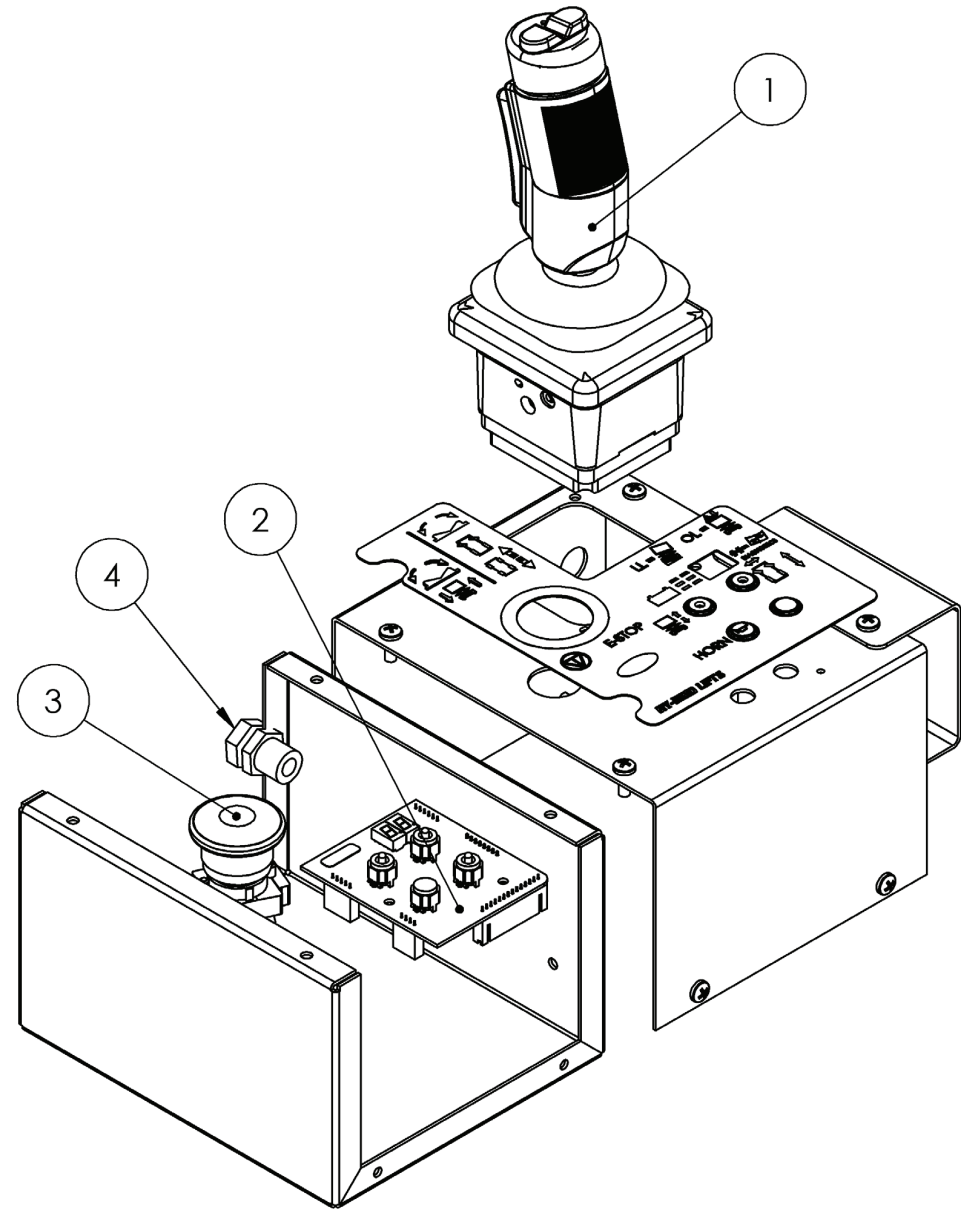


FIGURE 15: Upper Control Parts

Item #	Part Number	Part Description	Notes	Qty	Superseded By
1	ELEC-601-100	JOYSTICK, DT		1	
2	SUBA9350E	CTL UPR,PCBA		1	
3	ELEC-071-KIT	EMERGENCY STOP BUTTON		1	
4	DT815	HARNESS,PLATFORM CONTROLLER		1	

2.3 | LOWER CONTROL PARTS

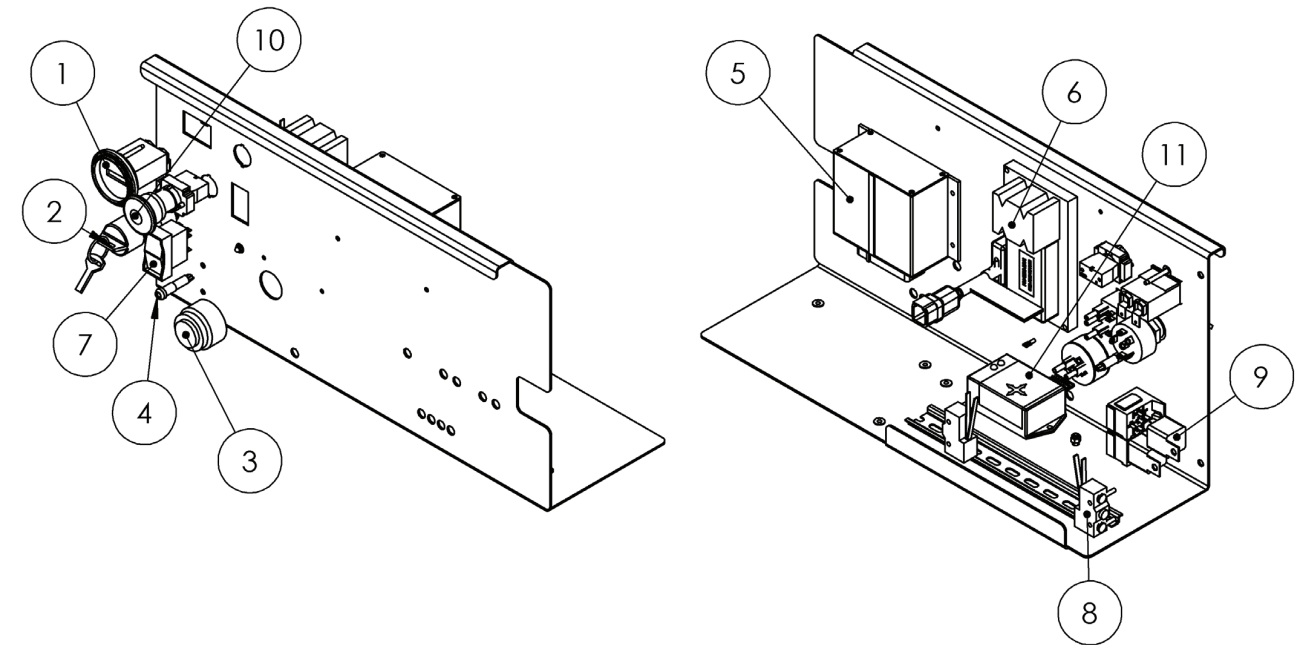


FIGURE 16: Lower Control Parts

Item #	Part Number	Part Description	Notes	Qty	Superseded By
1	DT-804	METER,HOUR ANALOG		1	
2	ELEC-073E	SWITCH,KEY		1	
3	ELEC-635-2	ALARM,MULTI FINCTION		1	
4	ELEC-636	HARNESS, LED ASSEMBLY		1	
5	SUBA8350E	CTL LWR,DT ECU		1	
6	SUB 904	BOARD,DRIVE CTL (HB2CE)		1	
7	ELEC-133B	SWITCH,ROCKER DPDT		1	
8	ELEC-624	SWITCH,LIMIT STRAIGHT LEVER		2	
9	ELEC-631	RELAY,SPDT,ICE CUBE,24V DC		1	
10	ELEC-071-KIT	BUTTON,PUSH/PULL RED E-STOP		1	
11	ELEC-829	LEVEL SENSOR 1.5X-2.0Y NC		1	

2.4 | E-STOP SWITCH SUBPARTS

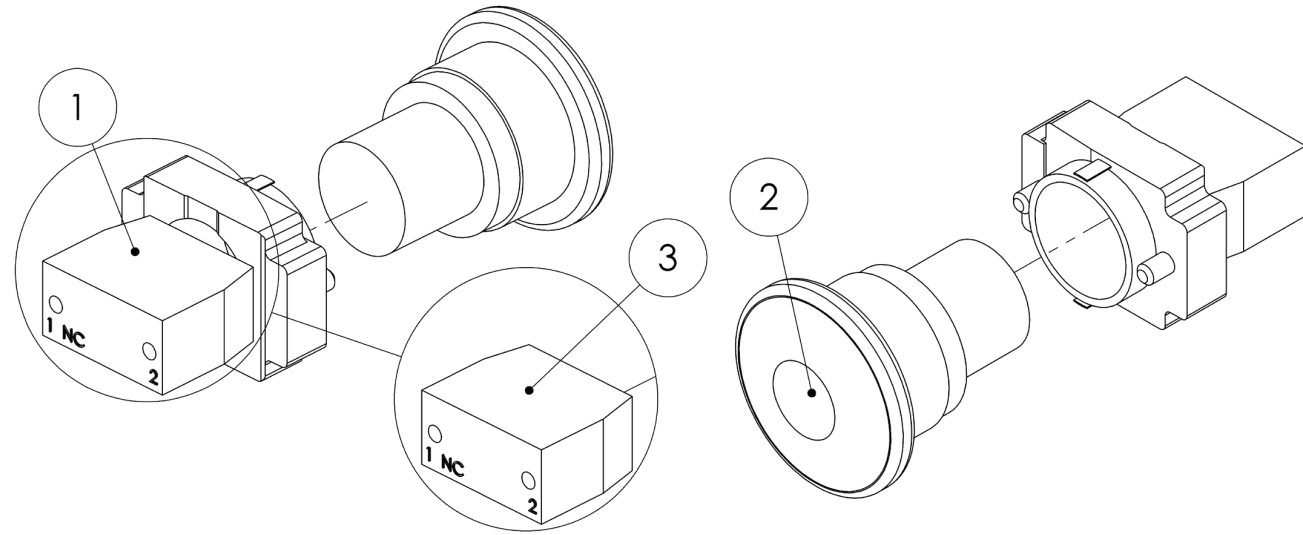


FIGURE 17: E-Stop Switch Subparts

Item #	Part Number	Part Description	Notes	Qty	Superseded By
1	ELEC-872-KIT	CONTACT BLOCK,NC W/BASE		1	
2	ELEC-071	BUTTON,PUSH/PULL RED E-STOP		1	
3	ELEC-072	CONTACT BLOCK,NC		1	

2.5 | KEY SWITCH SUBPARTS

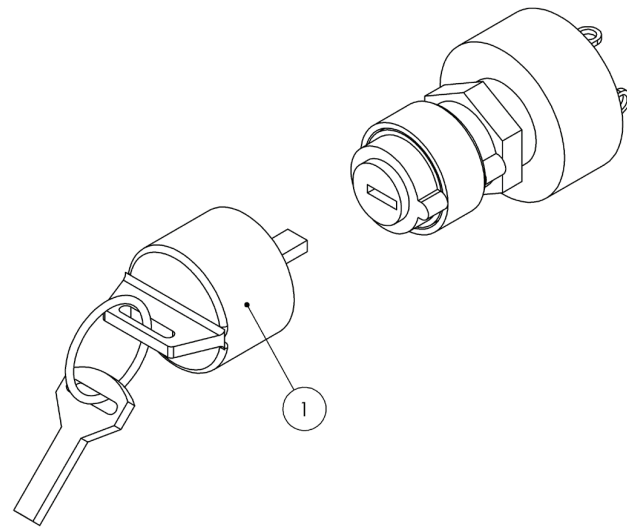


FIGURE 18: Key Switch Subparts

Item #	Part Number	Part Description	Notes	Qty	Superseded By
1	ELEC-073EKEY	KEY,SPARE		1	

2.6 | MASTER POWER SWITCH SUBPARTS

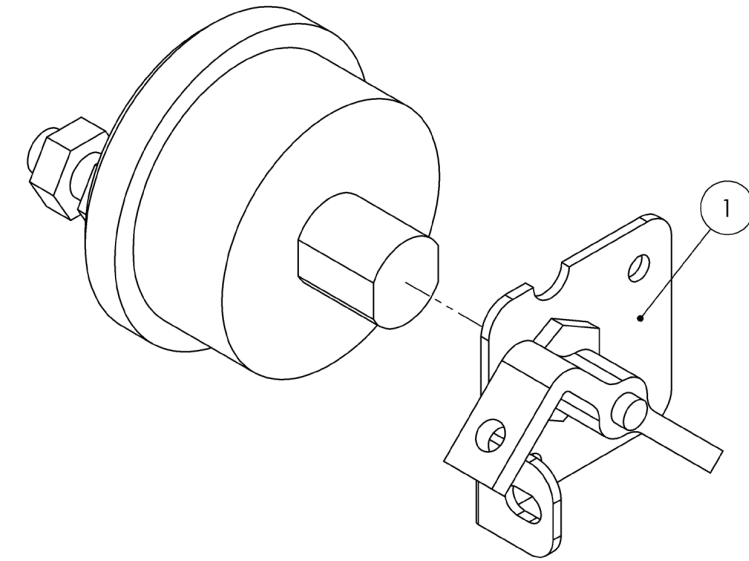


FIGURE 19: Master Power Switch Subparts

Item #	Part Number	Part Description	Notes	Qty	Superseded By
1	ELEC-633-1	SWITCH,LOCKOUT LEVER KIT		1	

## 3.1 | PARTS - 14 FT

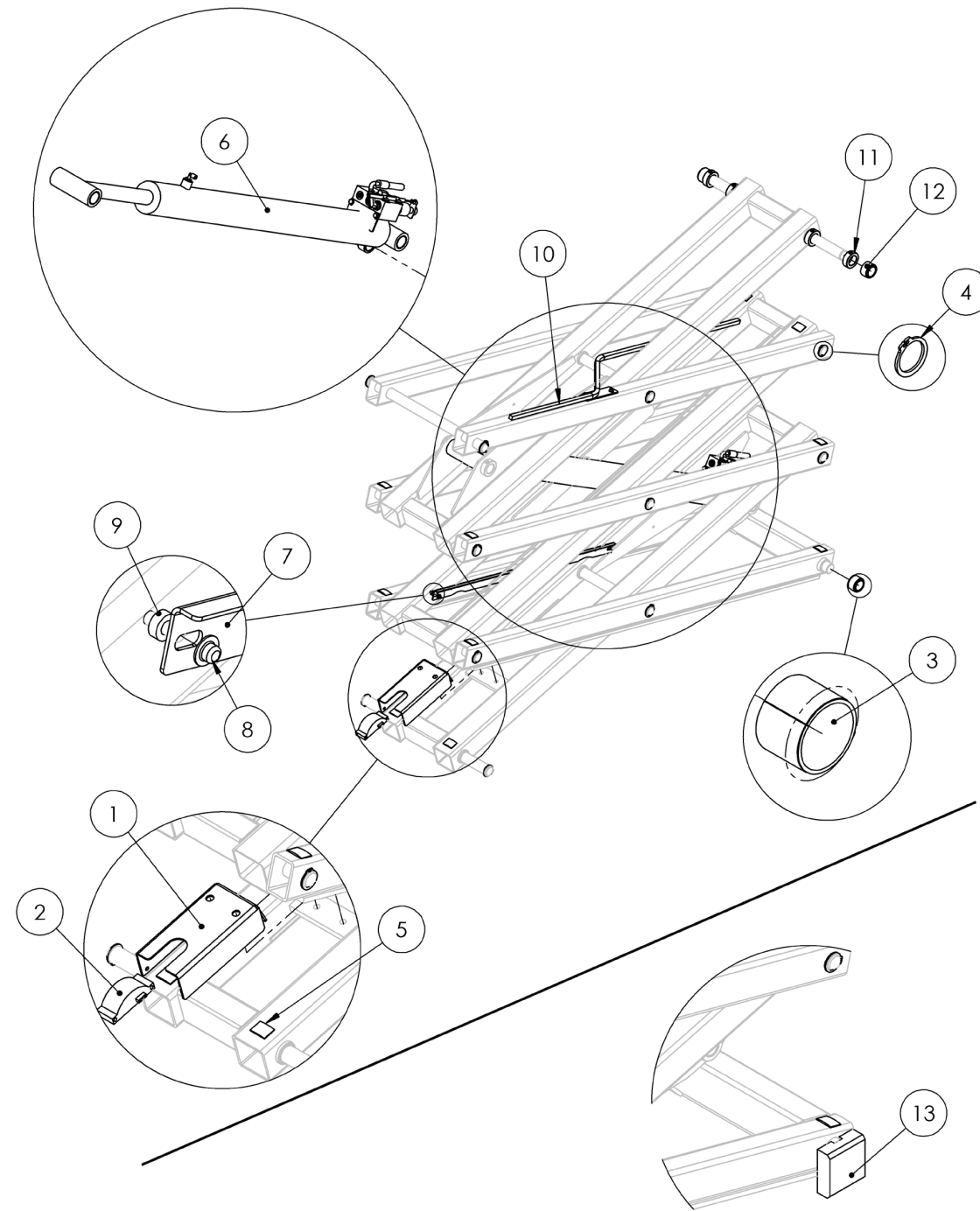


FIGURE 20: Parts-14 FT

Item #	Part Number	Part Description	Notes	Qty	Superseded By
1	1000202301	SCISSOR, SWITCH MNT		1	
2	ELEC-647	SENSOR, ANGLE		1	
3	HARD-001	1.25X1.00 SLEEVE BEARING, PTFE		1	
4	HARD-022	1.25 RETAINING RING, EXT		20	
5	MISC-007-01-KIT	1 3/8 MOLDING BOND		12	
6	1022100551-KIT	ASM, SCISSOR CYL HB1430CE		1	
7	LAS-L061-EC	SCISSOR, CONDUIT PARALLEL		1	
8	HARD-656	QUICK NUT-1/4 ROD		2	
9	HARD-636	0.25X0.50X0.19 SPACER		2	
10	112-03-001-01	SCISSOR, CONDUIT UPR		1	
11	1021000102	SET COLLAR, 1.25 ID		4	
12	BM-6006-1-KIT	ASM, ROLLER, 1.00 W/DU		4	
13	HB-M214	BASE, SLIDER BLOCK	E210002-E210011 A210012-A210018	2	

3.2 | PARTS - 10 FT

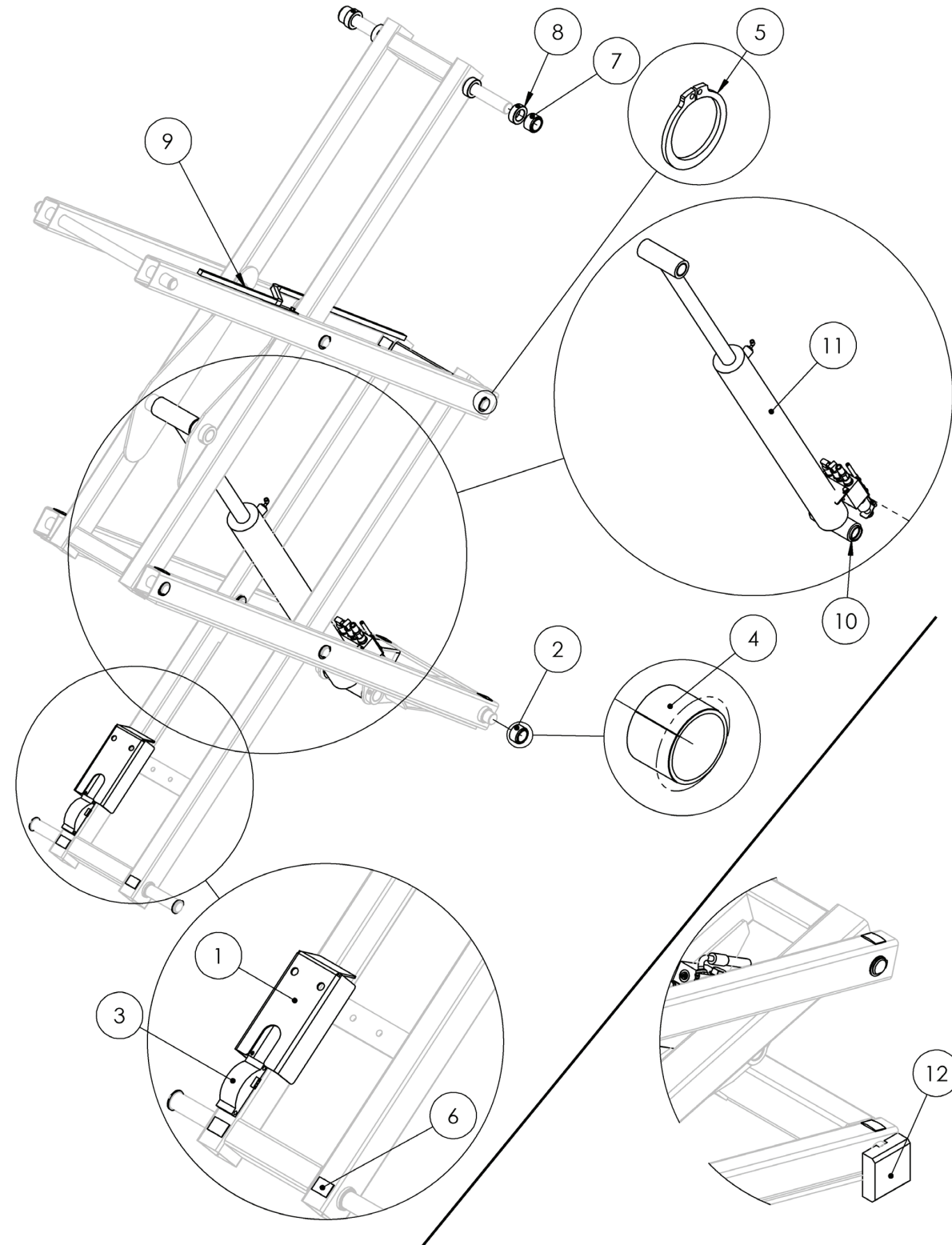


FIGURE 21: Parts-10 FT

Item #	Part Number	Part Description	Notes	Qty	Superseded By
1	1000202301	SCISSOR, SWITCH MNT		1	
2	BM-6006-1-KIT	ASM, ROLLER, 1.00 W/DU		2	
3	ELEC-647	SENSOR, ANGLE		1	
4	HARD-001	1.25X1.00 SLEEVE BEARING, PTFE		1	
5	HARD-022	1.25 RETAINING RING, EXT		14	
6	MISC-007-01-KIT	1 3/8 MOLDING BOND		8	
7	BM-6006-1-KIT	ASM, ROLLER, 1.00 W/DU		2	
8	1021000102	SET COLLAR, 1.25 ID		4	
9	112-03-001-01	SCISSOR, CONDUIT UPR		1	
10	BM-1007-EC	BUSHING, SPACER, 1.38, 0.25		2	
11	1022100450-KIT	ASM, SCISSOR CYL HB1030		1	
12	HB-M214	BASE, SLIDER BLOCK	E110001-E110011 A110012-A110014	1	



3.3 | CYLINDER SUBPARTS - 14 FT

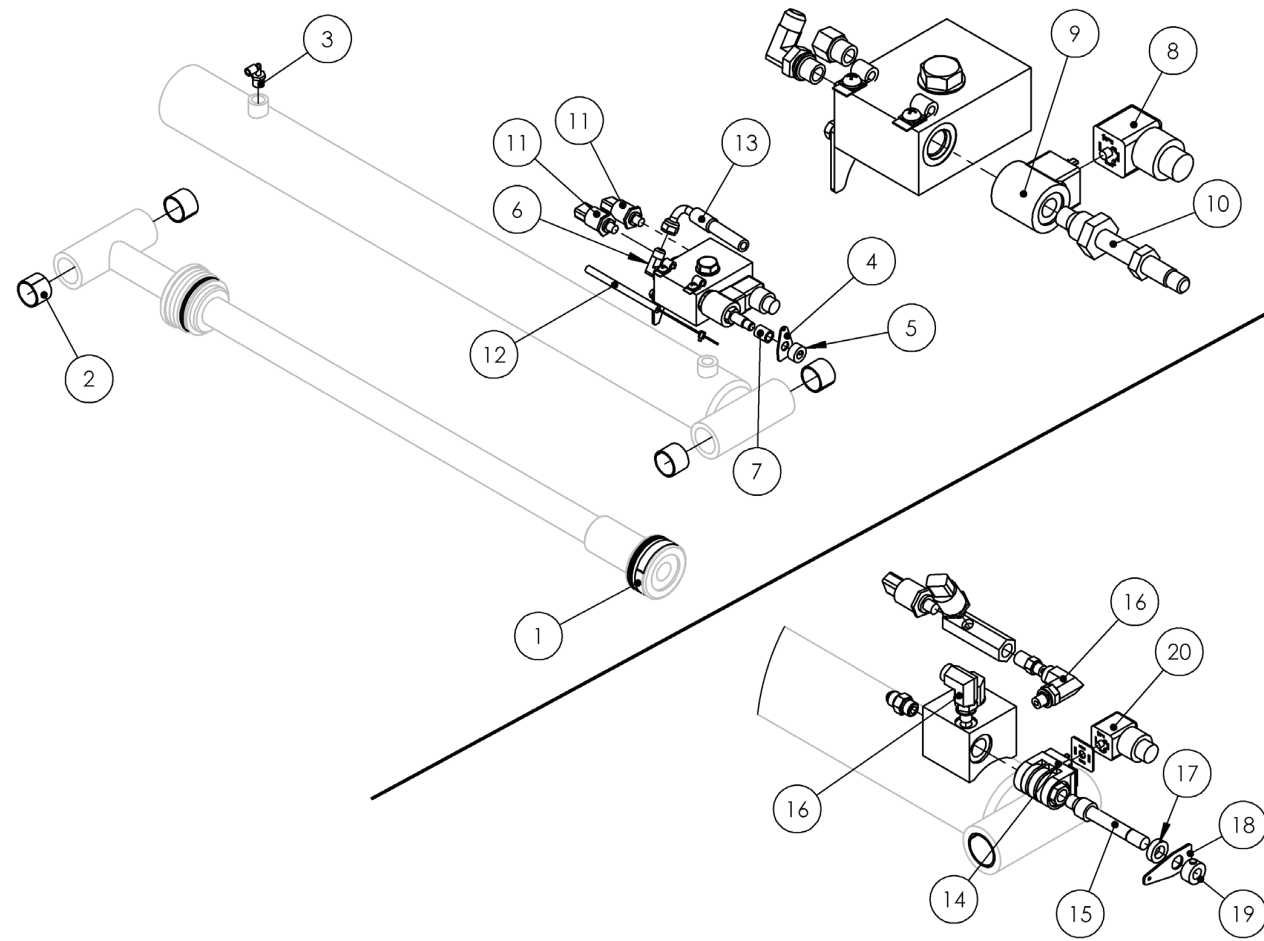


FIGURE 22: Cylinder Subparts-14 FT

Item #	Part Number	Part Description	Notes	Qty	Superseded By
1	HYDR-041K	CYL,SEAL KIT 3.0 B, 1.5 R,BES		1	
2	HARD-001	1.25X1.00 SLEEVE BEARING,PTFE		4	
3	HYDR-019	FITTING,ELB,NPTM 3/8-1/4 PUSH		1	
4	1000202004	SCISSOR,PLATE E-DOWN ACT		1	
5	HARD-650	0.44X0.88X0.44 SHAFT COLLAR		1	
6	1022100650	ASM,SCISSOR CYL BLK HB1430CE		1	
7	HARD-621	038X0.63X075 SLEEVE BEARING		1	
8	HYDR-044-FL3	HIRSCHMANN CONNECTOR		1	
9	HYDR-007-2E-4	COIL,24V,HC		1	
10	HYDR-007-2E-5	VALVE,NC,2W/2P,#8,DWN,PULL,DEL		1	
11	ELEC-648-2	SENSOR,PRESSURE		2	
12	HARD-644-02	80/90 LOW FRICTION CABLE		1	
13	HYDR-600-6	HOSE ASM,PRECUT HB2-3X		1	
14	HYDR-007-2E-1	COIL,24V,HC	Superseded: E210002-E210011, A210012-A210018	1	HYDR-007-2E-KIT
15	HYDR-007-2E-2	VALVE,NC,2W/2P,#8,DWN,PULL,PAR	Superseded: E210002-E210011, A210012-A210018	1	HYDR-007-2E-KIT
16	HYDR-605	FITTING,ELB,SAEORM#4-SAEORF#4	E210002-E210011, A210012-A210018	2	
17	WHEE-605-P	0.50X0.89X0.25 SPACER	E210002-E210011, A210012-A210018	1	
18	LAS-M115	SCISSOR,PLATE E-DOWN ACT	E210002-E210011, A210012-A210018	1	
19	HARD-650	0.44X0.88X0.44 SHAFT COLLAR	E210002-E210011, A210012-A210018	1	
20	HYDR-044-FL1	HIRSCHMANN CONNECTOR	E210002-E210011, A210012-A210018	1	

3.4 | CYLINDER SUBPARTS - 10 FT

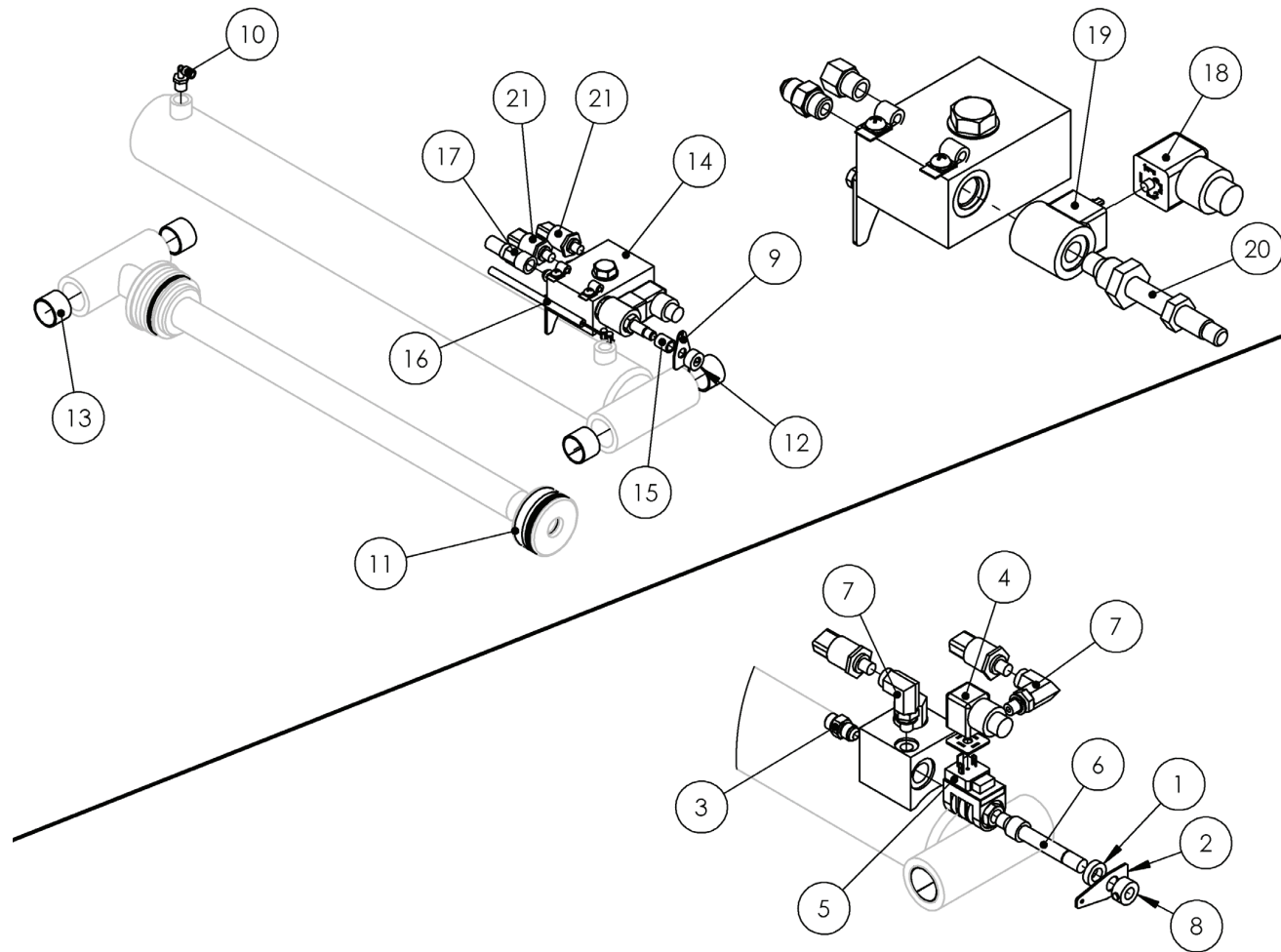


FIGURE 23: Cylinder Subparts-10 FT

Item #	Part Number	Part Description	Notes	Qty	Superseded By
1	WHEE-605-P	0.50X0.89X0.25 SPACER	E110001-E110011, A110012-A110014	1	
2	LAS-M115	SCISSOR,PLATE E-DOWN ACT	E110001-E110011, A110012-A110014	1	
3	HYDR-604	FITTING,STR,SAEOR M#6-JIC M3/8	E110001-E110011, A110012-A110014	1	
4	HYDR-044-FL1	HIRSCHMANN CONNECTOR	E110001-E110011, A110012-A110014	1	
5	HYDR-007-2E-1	COIL,24V,HC	Superseded; E110001-E110011, A110012-A110014	1	HYDR-007-2E-KIT
6	HYDR-007-2E-2	VALVE,NC,2W/2P,#8,DWN,PULL,PAR	Superseded; E110001-E110011, A110012-A110014	1	HYDR-007-2E-KIT
7	HYDR-605	FITTING,ELB,SAEORM#4-SAEORF#4	E110001-E110011, A110012-A110014	2	
8	HARD-650	0.44X0.88X0.44 SHAFT COLLAR	E110001-E110011, A110012-A110014	1	
9	1000202004	SCISSOR,PLATE E-DOWN ACT		1	
10	HYDR-019	FITTING,ELB,NPTM 3/8-1/4 PUSH		1	
11	HYDR-007-1K	CYL,SEAL KIT 3.0 B,1.5 R		1	
12	HARD-650	0.44X0.88X0.44 SHAFT COLLAR		1	
13	HARD-001	1.25X1.00 SLEEVE BEARING,PTFE		4	
14	1022100652	ASM,SCISSOR SYL BLK HB1030CE		1	
15	HARD-621	038X0.63X075 SLEEVE BEARING		1	
16	HARD-644-01	60/70 LOW FRICTION CABLE		1	
17	HYDR-600	HOSE ASM,HB-2X		1	
18	HYDR-044-FL3	HIRSCHMANN CONNECTOR		1	
19	HYDR-007-2E-4	COIL,24V,HC		1	
20	HYDR-007-2E-5	VALVE,NC,2W/2P,#8,DWN,PULL,DEL		1	
21	ELEC-648-2	SENSOR,PRESSURE		2	

# SECTION 4 | PLATFORM & RAILS

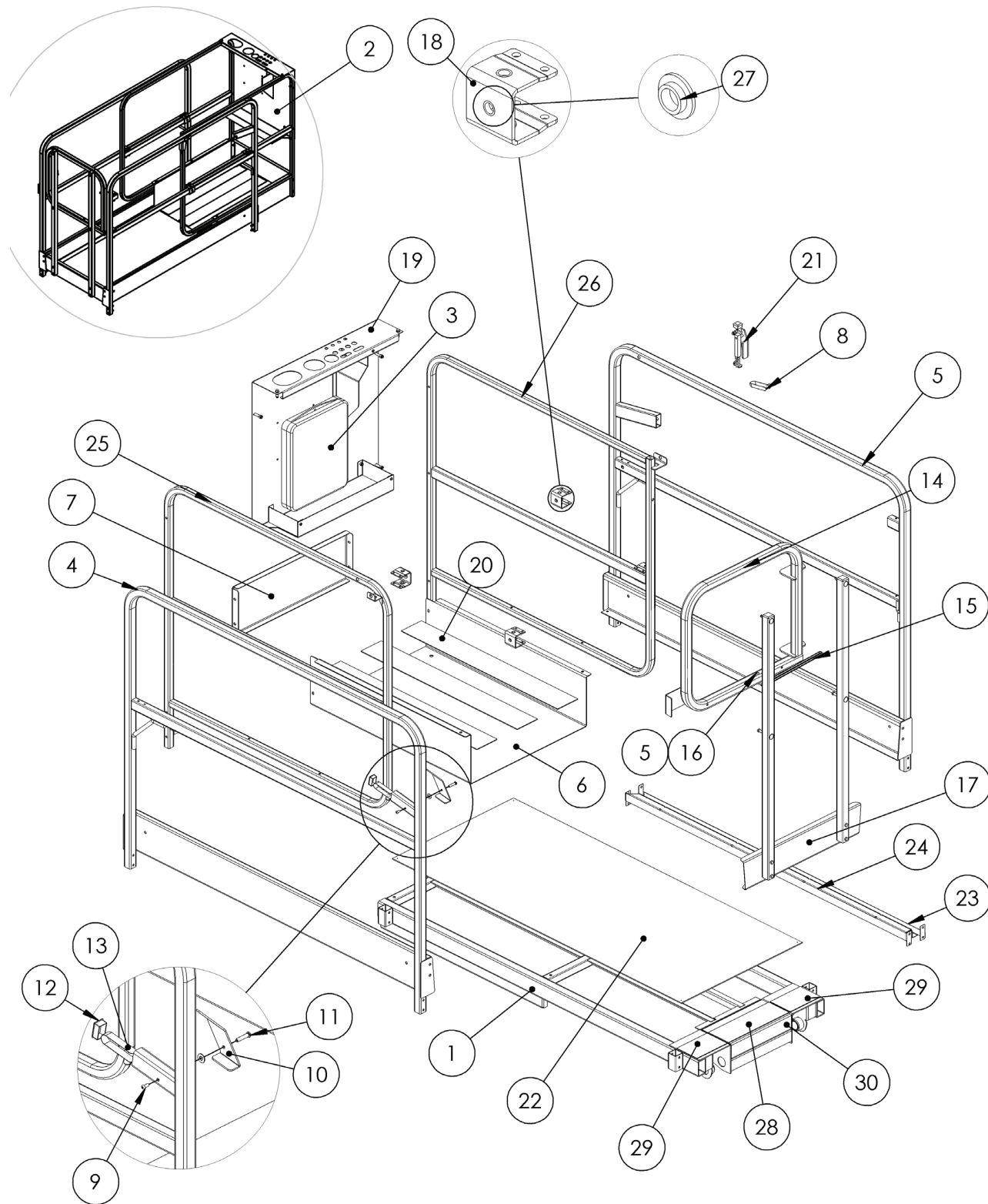


FIGURE 24: Platform & Rails

Item #	Part Number	Part Description	Notes	Qty	Superseded By
1	1020400101	PF,WLDMNT		1	
2	112-21-203-51-K	ASM,RAIL W/SO,RND		1	
3	HARD-603	MANUAL BOX		1	
4	HB-WC-L-01-PC	RAIL,WC L,E (RND)		1	
5	HB-WC-R-03-PC	RAIL,WC R,E (RND)		1	
6	LAS-M134-PC	RAIL,SO FLOOR E		1	
7	LAS-M136-PC	RAIL,SO TOE BOARD E		1	
8	HARD-067	0.38SNAP BUTTON,SINGLE END		1	
9	SCREW-1100	10-24 X 0.50 PAN HEAD SCRW		1	
10	LAS-M089-PC	RAIL,GATE LATCH		1	
11	HARD-649	0.25 X 1.25 BARREL SCRW,10-24		1	
12	HARD-634	PLUG,1.00X1.50,BLACK		1	
13	HARD-066	0.50 SNAP BUTTON,SINGLE END		1	
14	HB-WC-G-01-PC	RAIL,GATE		1	
15	HARD-606-1	0.19X12.5 ORING		1	
16	HARD-649	0.25 X 1.25 BARREL SCRW,10-24		1	
17	1002100691-KIT	ASM,GATE TOE BOARD		1	
18	LAS-M078-1-KIT	ASM,RAIL SLIDE CHNL W/WASHERS		4	
19	112-21-211-50-K	ASM,RAIL TOOL TRAY		1	
20	MISC-031-01-KIT	ANTI-SLIP TAPE,4.00,31.00 LENG		3	
21	1002100692-KIT	ASM,RAIL SLIDE LOCK		1	
22	HB-AL	PF,DECK		1	
23	112-04-010-01	PF,CONDUIT CHANNEL LOWER		1	
24	112-04-011-01	PF,CONDUIT CHANNEL UPPER		1	
25	HB-WC-SO-03L-PC	RAIL,SO L,E (RND)		1	
26	HB-WC-SO-03R-PC	RAIL,SO R,E (RND)		1	
27	HARD-626-3	0.38X0.50C.0.19 SHLD WASH,NYL B		1	
28	MISC-031-02-KIT	ANTI-SLIP TAPE,4.00,12.00 LENG		1	
29	MISC-031-03-KIT	ANTI-SLIP TAPE,4.00,6.00 LENG		2	
30	LAS-M101-E-1-PC	PF,STEP POCKET		1	

# SECTION 5 | DECALS

## 5.1 | DECALS - 14 FT

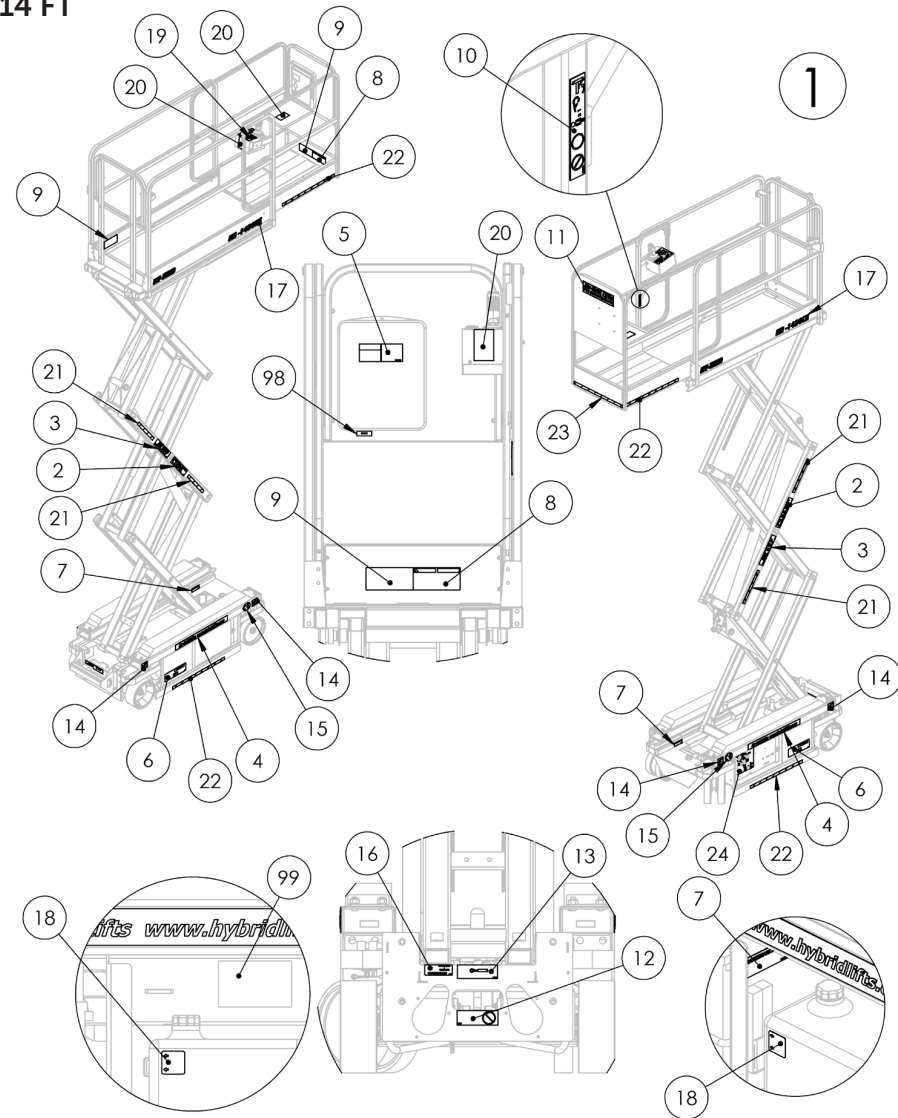


FIGURE 25: Decals - 14 FT

Item #	Part Number	Part Description	Notes	Qty	Superseded By
1	112-21-008-59-K	DECALS,HB-1430CE	(Not Pictured: Decal Set)	1	
2	DE708	DECAL,CLEAR		2	
3	DE707	DECAL,KEEP		2	
4	DE822	DECAL,WEBSITE	Superseded;	2	DE822
5	DE600E-10	DECAL,MANUAL BOX		1	
6	DE709	DECAL, LWR		2	
7	DE600E-14	DECAL,MAINT LOCK		3	
8	DE706	DECAL,UPR HB		1	
9	DE733	DECAL,CAPACITY,670#,2P,I,W/SO		2	
10	DE746	DECAL,LANYARD ATTACHMENT		1	
11	DE821	DECAL,LOGO HY-BRID		1	
12	DE747	DECAL,BRAKE RELEASE/NO TOW		1	
13	DE751	DECAL,E-DOWN CABLE		1	

14	DE736	DECAL,WHL LOAD HB-1430CE S2/3		4	
15	DE718	DECAL,CE		2	
16	DE752	DECAL,CHARGER CORD (EU)		1	
17	DE603-11	DECAL,MODEL HB-1430CE		2	
18	DE679	DECAL,HYDR FLUID		1	
19	DE625	DECAL,CTL UPR (DT)		1	
20	DE634	DECAL,ERROR CODES		2	
21	DE717-62	DECAL,SAFETY STRIPE (12.00)		4	
22	DE717-61	DECAL,SAFETY STRIPE (24.00)		4	
23	DE717-63	DECAL,SAFETY STRIPE (22.25)		1	
24	DE623C	DECAL,CTL LWR HBLG-CE		1	
25	DE600-01	DECAL,WARNING	Superseded;	2	DE706
26	DE600-02-KIT-55	DECAL,DANGERS RETROFIT,1430	KIT	1	
27	DE600-03A	DECALCAPACITY,670#,2P,I,W/SO	Superseded;	3	DE733
28	DE600-04	DECAL,PLAT EXT & GATE	Superseded;	1	DE706
29	DE600-07	DECAL,DO NOT POWERWASH	Superseded;	1	N/A
30	DE600-08	DECAL,BATT GAS WARNING	Superseded;	1	DE709
31	DE600-09	DECAL, ELECTROCUTION HAZARD	Superseded;	1	DE706
32	DE600-16A	DECAL,KEEP	Superseded;	2	DE707
33	DE600-16B	DECAL,CLEAR	Superseded;	2	DE708
34	DE600-17	DECAL,SAFETY STRIPE (24.00)	Superseded;	4	DE717-61
35	DE600-21	DECAL,BRAKE RELEASE/NO TOW	Superseded;	1	DE747
36	DE600-22	DECAL,BRAKE RELEASE/NO TOW	Superseded;	1	DE747
37	DE600E-02	DECAL,DANGERS INDOOR ONLY		1	
38	DE600E-05	DECAL,DANGER TIP	Superseded;	1	DE706
39	DE600E-06	REPLACE OEM ONLY DECAL	Superseded;	2	DE709
40	DE600E-18	DECAL,BATT WEIGHT	Superseded;	2	DE709
41	DE600E-20	DECAL,CRUSHING HAZARD		1	
42	DE600E-24A	DECAL,WHEEL LOAD HB1430CE	Superseded;	1	DE736
43	DE600E-29	DECAL,E-DOWN	Superseded;	1	DE751
44	DE600E-30	DECAL,MAINT LOCK USE	Superseded;	2	DE708
45	DE601	DECAL,LOGO HY-BRID	Superseded;	1	DE821
46	DE603E	DECAL,MODEL NUMBER,E	Superseded;	1	VARIES
47	DE608	DECAL,WWW.HYBRIDLIFTS	Superseded;	1	DE652
48	DE609	DECAL,HYBRID LIFTS	Superseded;	1	DE652
49	DE610	DECAL,CUSTOM EQUIPMENT LOGO	Superseded;	1	DE652
50	DE613	DECAL,LANYARD ATTACHMENT	Superseded;	1	DE746
51	DE615	DECAL,CE	Superseded;	1	DE718
52	DE621	DECAL,NO UNAUTHORIZED USE		1	
53	DE626	DECAL,PH WARNING	Superseded;	2	DE709
54	DE627	DECAL,HOLE COVER	Superseded;	2	N/A
55	DE629	DECAL,CHARGER CORD DECAL (EU)	Superseded;	1	DE752
56	DE652	DECAL,WEBSITE	Superseded;	3	DE822
57	DE804	DECALS,HB2CE	Superseded;	1	112-21-008-59-K
98	N/A	SERIAL NUMBER REFERENCE		0	
99	N/A	SERIAL NUMBER PLATE		0	

5.2 | DECALS - 10 FT

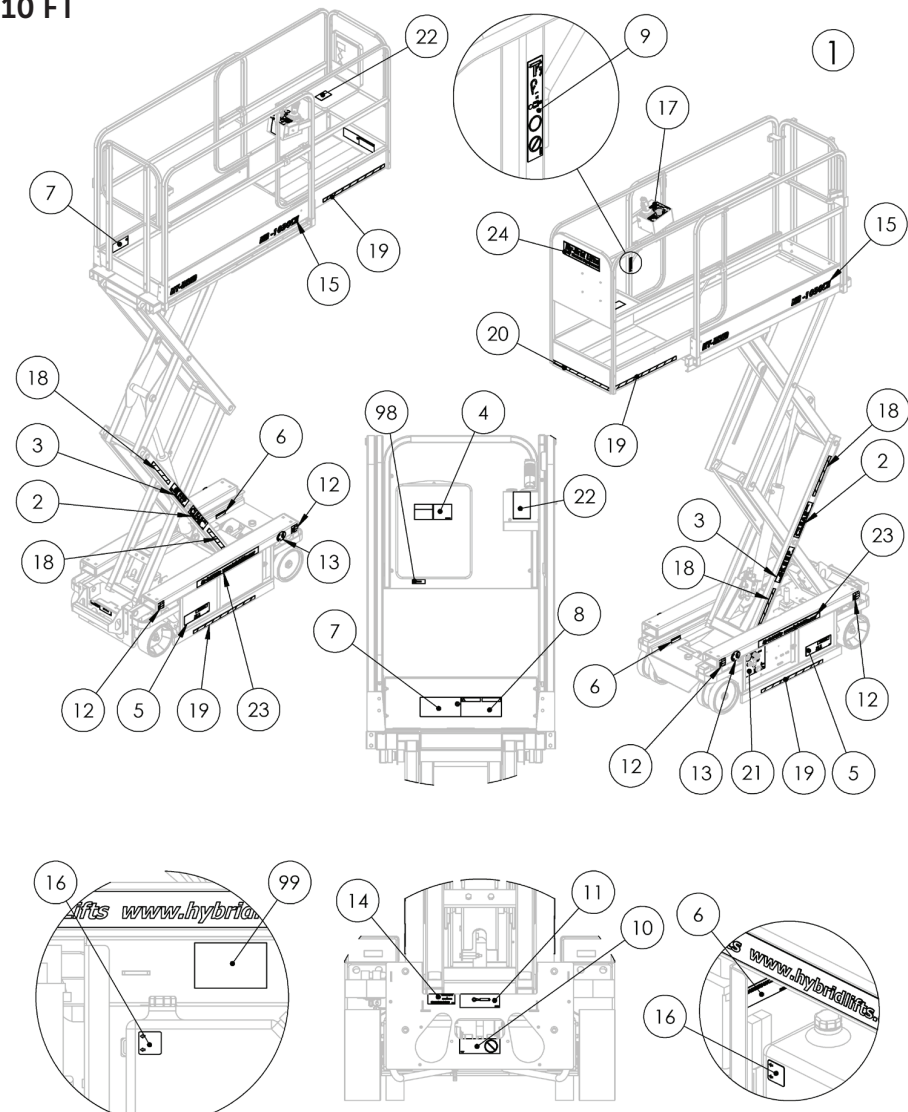
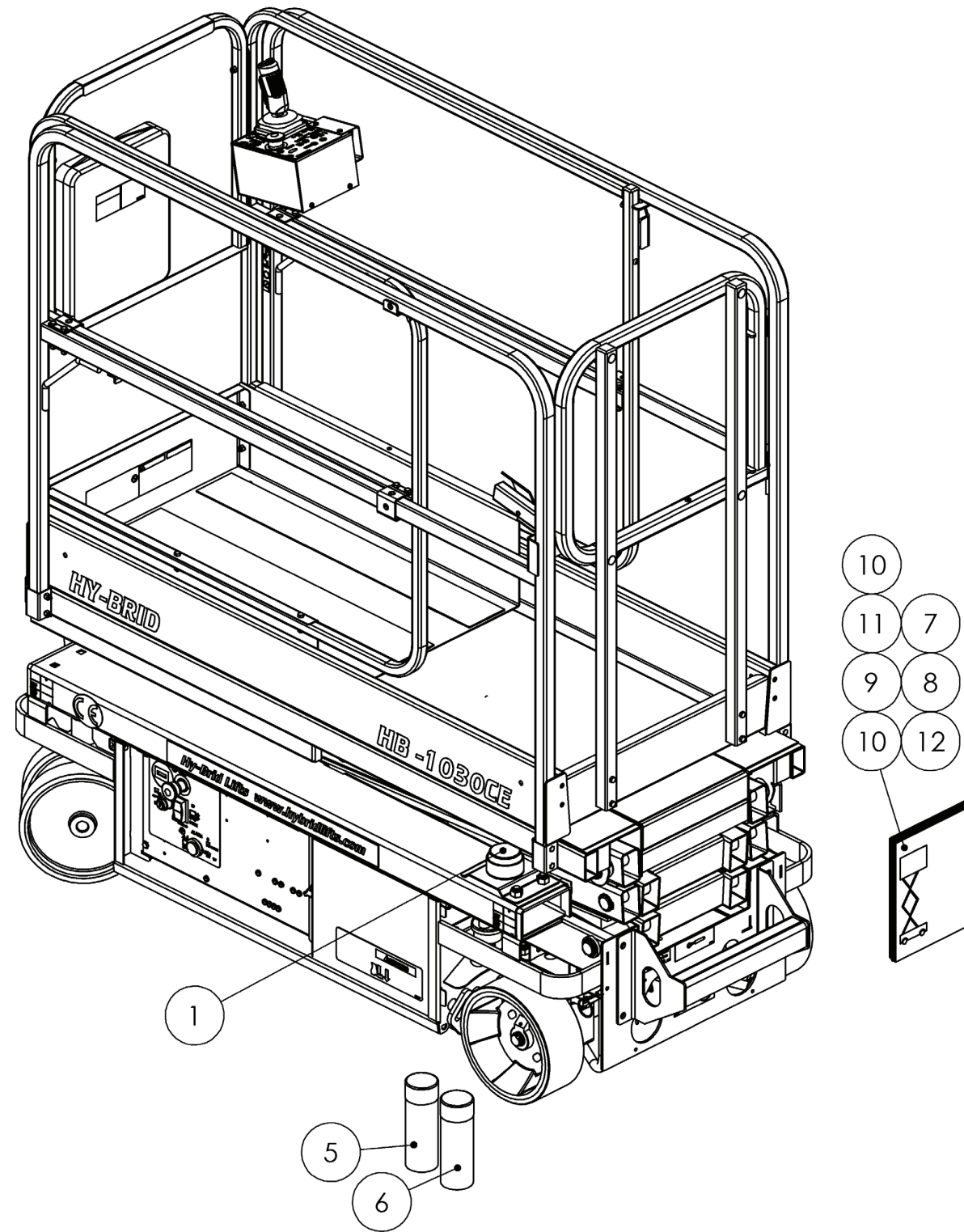


FIGURE 26: Decals - 10 FT

Item #	Part Number	Part Description	Notes	Qty	Superseded By
1	112-21-008-54-K	DECALS,HB-1030CE	(Not Pictured: Decal Set)	1	
2	DE708	DECAL,CLEAR		2	
3	DE707	DECAL,KEEP		2	
4	DE600E-10	DECAL,MANUAL BOX		1	
5	DE709	DECAL, LWR		2	
6	DE600E-14	DECAL,MAINT LOCK		3	
7	DE732	DECAL,CAPACITY,750#,2P,I,W/SO		2	
8	DE706	DECAL,UPR HB		1	
9	DE746	DECAL,LANYARD ATTACHMENT		1	
10	DE747	DECAL,BRAKE RELEASE/NO TOW		1	
11	DE751	DECAL,E-DOWN CABLE		1	
12	DE735	DECAL,WHL LOAD HB-1030CE S2/3		4	
13	DE718	DECAL,CE		2	

14	DE752	DECAL,CHARGER CORD (EU)		1	
15	DE603-10	DECAL,MODEL HB-1030CE		2	
16	DE679	DECAL,HYDR FLUID		1	
17	DE625	DECAL,CTL UPR (DT)		1	
18	DE717-62	DECAL,SAFETY STRIPE (12.00)		4	
19	DE717-61	DECAL,SAFETY STRIPE (24.00)		4	
20	DE717-63	DECAL,SAFETY STRIPE (22.25)		1	
21	DE623C	DECAL,CTL LWR HBLG-CE		1	
22	DE634	DECAL,ERROR CODES		2	
23	DE822	DECAL,WEBSITE	Superseded;	2	DE822
24	DE821	DECAL,LOGO HY-BRID		1	
25	DE600-01	DECAL,WARNINGS	Superseded;	2	DE706
26	DE600-02-KIT-50	DECAL,DANGERS RETROFIT,1030	KIT	1	
27	DE600-03	DECAL,CAPACITY 750#,2P,I, W/SO	Superseded;	3	DE732
28	DE600-04	DECAL,PLAT EXT & GATE	Superseded;	1	DE706
29	DE600-07	DECAL,DO NOT POWERWASH	Superseded;	1	N/A
30	DE600-08	DECAL,BATT GAS WARNING	Superseded;	1	DE709
31	DE600-09	DECAL, ELECTROCUTION HAZARD	Superseded;	1	DE706
32	DE600-16A	DECAL,KEEP	Superseded;	2	DE707
33	DE600-16B	DECAL,CLEAR	Superseded;	2	DE708
34	DE600-17	DECAL,SAFETY STRIPE (24.00)	Superseded;	4	DE717-61
35	DE600-21	DECAL,BRAKE RELEASE/NO TOW	Superseded;	1	DE747
36	DE600-22	DECAL,BRAKE RELEASE/NO TOW	Superseded;	1	DE747
37	DE600E-02	DECAL,DANGERS INDOOR ONLY	Superseded;	1	DE600-02-KIT-50
38	DE600E-05	DECAL,DANGER TIP	Superseded;	1	DE706
39	DE600E-06	REPLACE OEM ONLY DECAL	Superseded;	2	DE709
40	DE600E-18	DECAL,BATT WEIGHT	Superseded;	2	DE709
41	DE600E-20	DECAL,CRUSHING HAZARD	NOT NECESSARY IF KIT 112-21-008 USED	0	
42	DE600E-24B	DECAL,WHEEL LOAD HB1030CE	Superseded;	1	DE735
43	DE600E-29	DECAL,E-DOWN	Superseded;	1	DE751
44	DE600E-30	DECAL,MAINT LOCK USE	Superseded;	2	DE708
45	DE601	DECAL,LOGO HY-BRID	Superseded;	1	DE821
46	DE603E	DECAL,MODEL NUMBER,E	Superseded;	1	VARIES
47	DE608	DECAL,WWW.HYBRIDLIFTS	Superseded;	1	DE652
48	DE609	DECAL,HYBRID LIFTS	Superseded;	1	DE652
49	DE610	DECAL,CUSTOM EQUIPMENT LOGO	Superseded;	1	DE652
50	DE613	DECAL,LANYARD ATTACHMENT	Superseded;	1	DE746
51	DE615	DECAL,CE	Superseded;	1	DE718
52	DE621	DECAL,NO UNAUTHORIZED USE	NOT NECESSARY IF KIT 112-21-008 USED	0	
53	DE626	DECAL,PH WARNING	Superseded;	2	DE709
54	DE627	DECAL,HOLE COVER	Superseded;	2	N/A
55	DE629	DECAL,CHARGER CORD DECAL (EU)	Superseded;	1	DE752
56	DE652	DECAL,WEBSITE	Superseded;	3	DE822
57	DE804	DECALS,HB2CE	Superseded;	1	112-21-008-54-K
98	N/A	SERIAL NUMBER REFERENCE		0	
99	N/A	SERIAL NUMBER PLATE		0	



Item #	Part Number	Part Description	Notes	Qty	Superseded By
1	1022000852-KIT	BEACON,FLASHING AMBER HB S2	For 1030CE	1	
1	1022000851-KIT	BEACON,FLASHING AMBER HB S2	For 1430CE	1	
3	1022101751	MOTION ALARM,HBS2CE		1	
4	HS-HBCE	HYDR SCH,HBLG CE		1	
5	MISC-624	PAINT,WHITE TOUCH-UP SPRAY		1	
6	MISC-625	PAINT,YELLOW TOUCH-UP SPRAY		1	
7	SUPO-607A	DOCUMENT,CE DECL HB-1030CES2	For 1030CE	1	
8	SUPO-607B	DOCUMENT,CE DECL HB-1430CES2	For 1430CE	1	
9	SUPO-610EDUT	MANUAL,OP,HBE S2 DUT		2	
10	SUPO-611E	MANUAL MAINT, HBE SERIES 2		2	
11	SUPO-655	MANUAL ADDENDUM,HB S2CE DECALS		1	
12	SUPO-732	MANUAL,PARTS HB-1030/1430CE S2		1	

FIGURE 27: Options & Miscellaneous

# **HY-BRID LIFTS™**

BY CUSTOM EQUIPMENT INC

---

Self-Propelled Aerial Work Platform  
Parts Manual  
HB-1030CE/HB-1430CE

---

© 2017 Custom Equipment, LLC  
2647 Highway 175  
Richfield, WI 53076  
U.S.A.  
Tel. +1-262-644-1300  
Fax: +1-262-644-1320  
[www.hybridlifts.com](http://www.hybridlifts.com)  
[Service@Customequipmentlifts.com](mailto:Service@Customequipmentlifts.com)

"Hy-Brid Lifts" is a trademark of Custom Equipment, LLC  
These machines comply with specified EN 280 requirements

Revision Date: August 2017

Printed In The USA